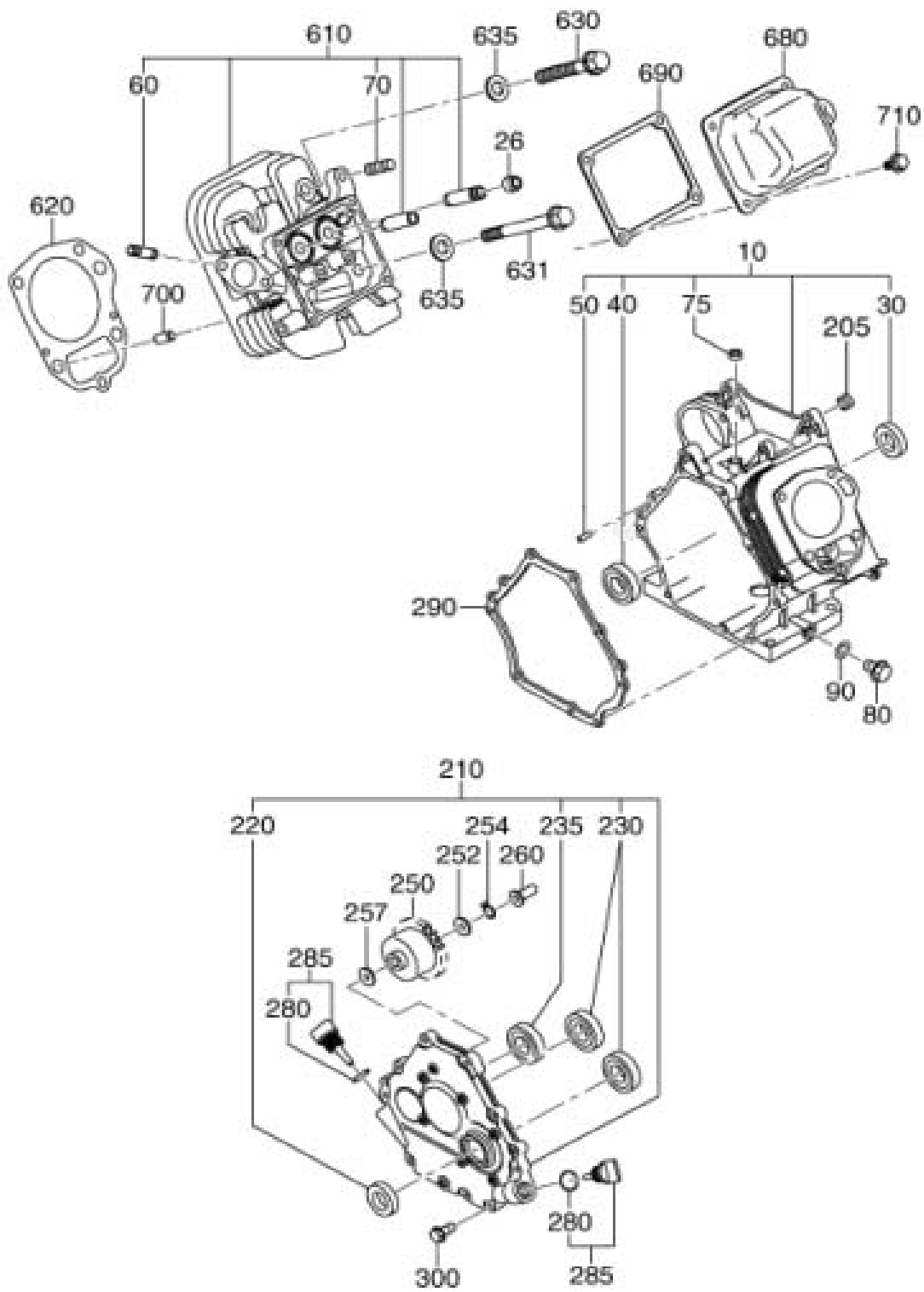


1 CRANK CASE GROUP

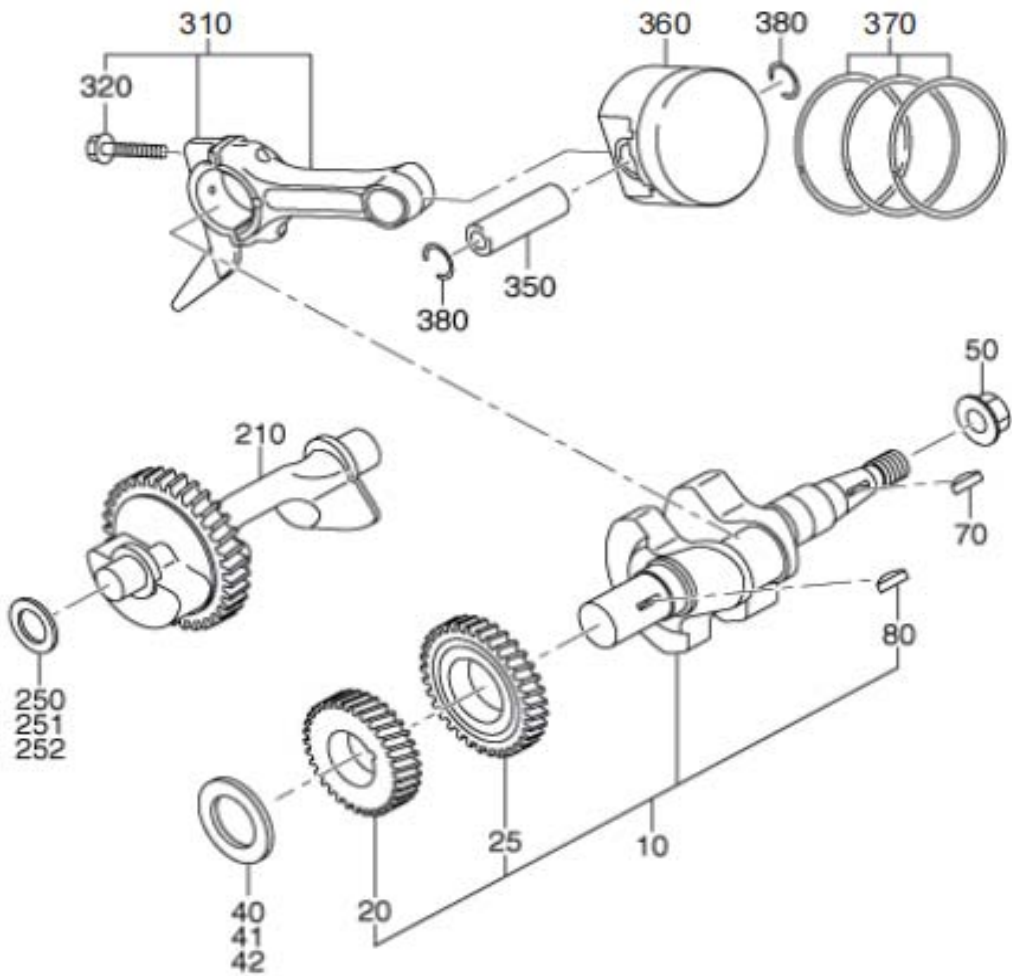
FIG.100



960— GASKET SET

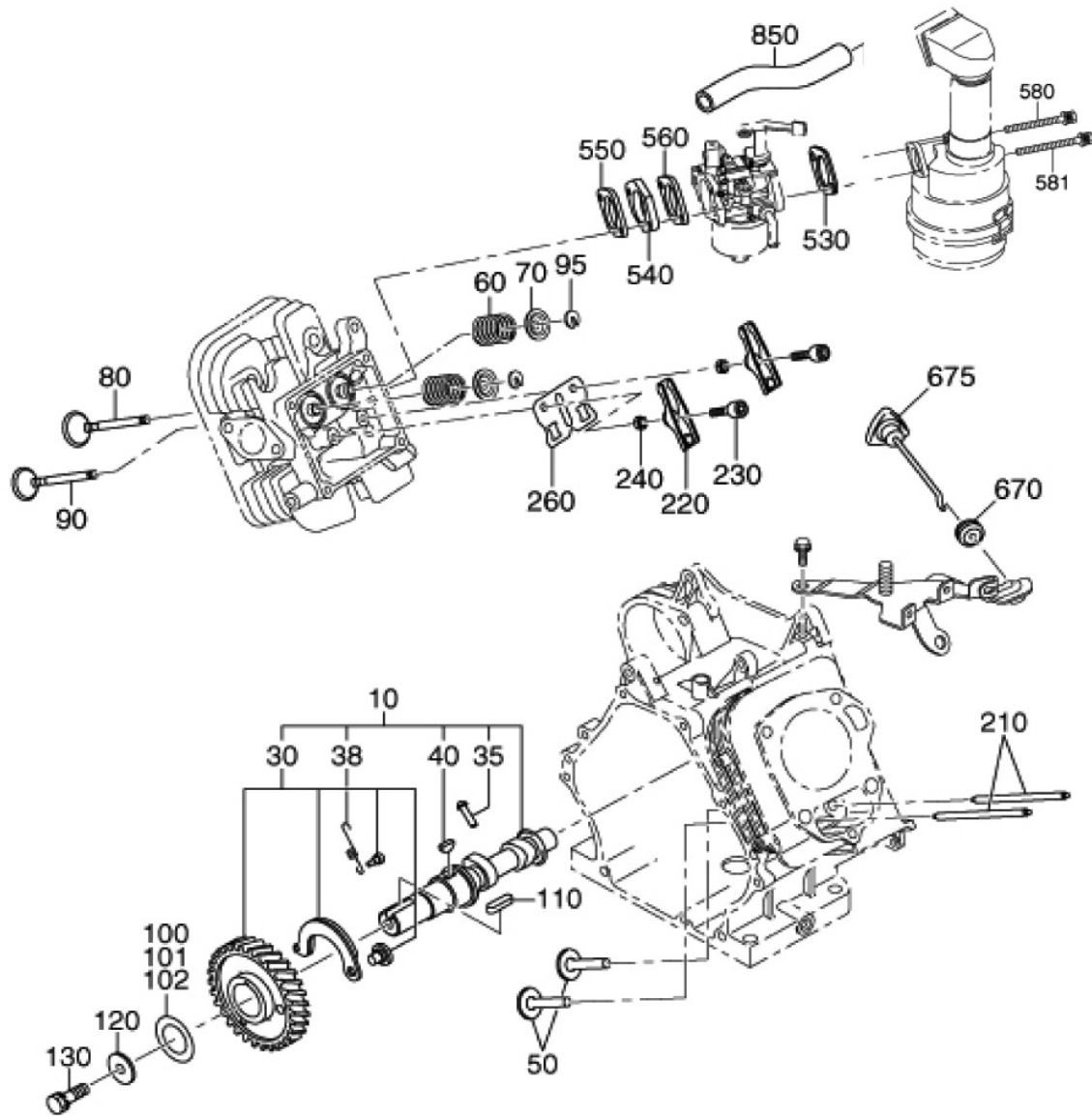
2 CRANK,PISTON GROUP

FIG.200



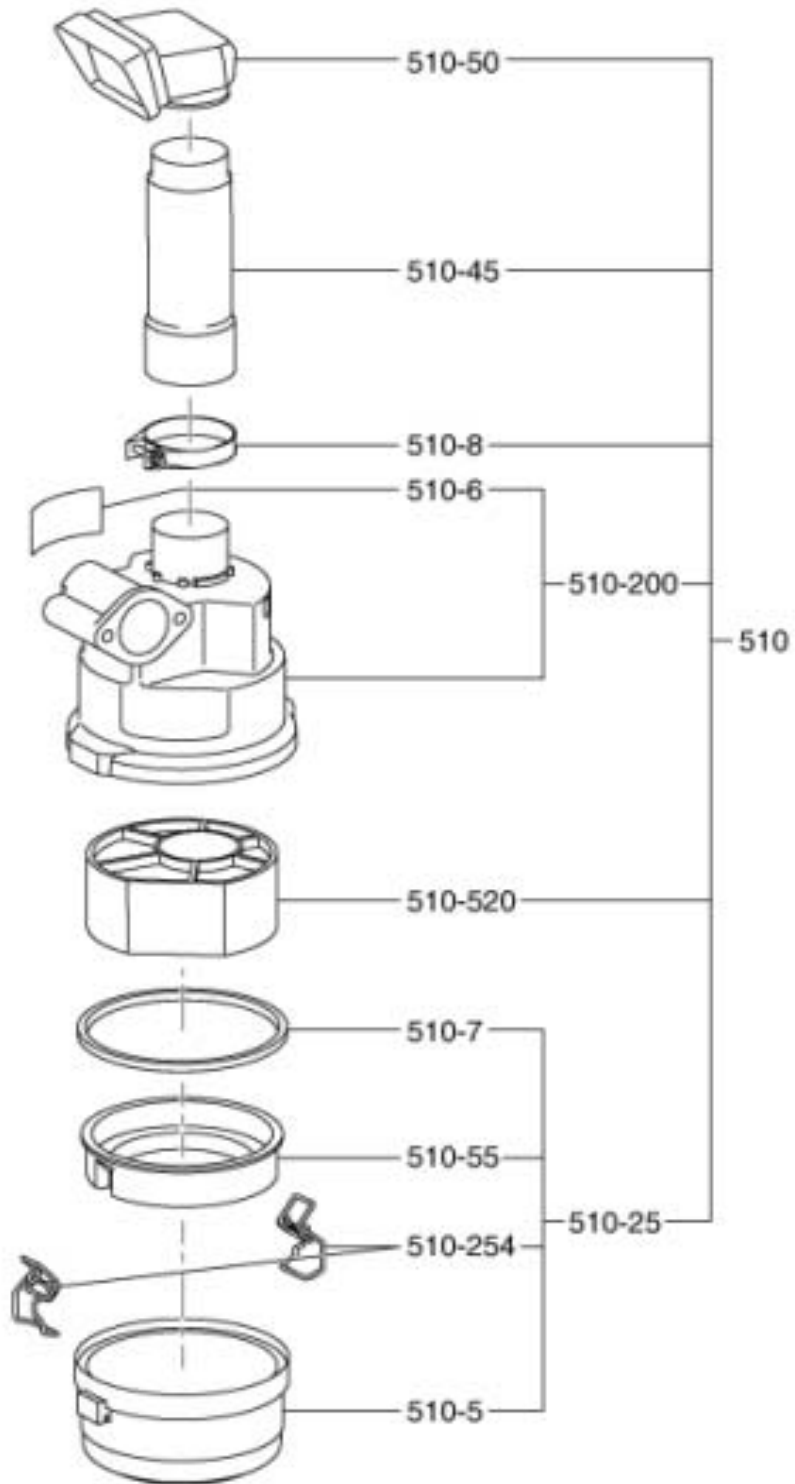
3 INTAKE,EXHAUST GROUP

FIG.300



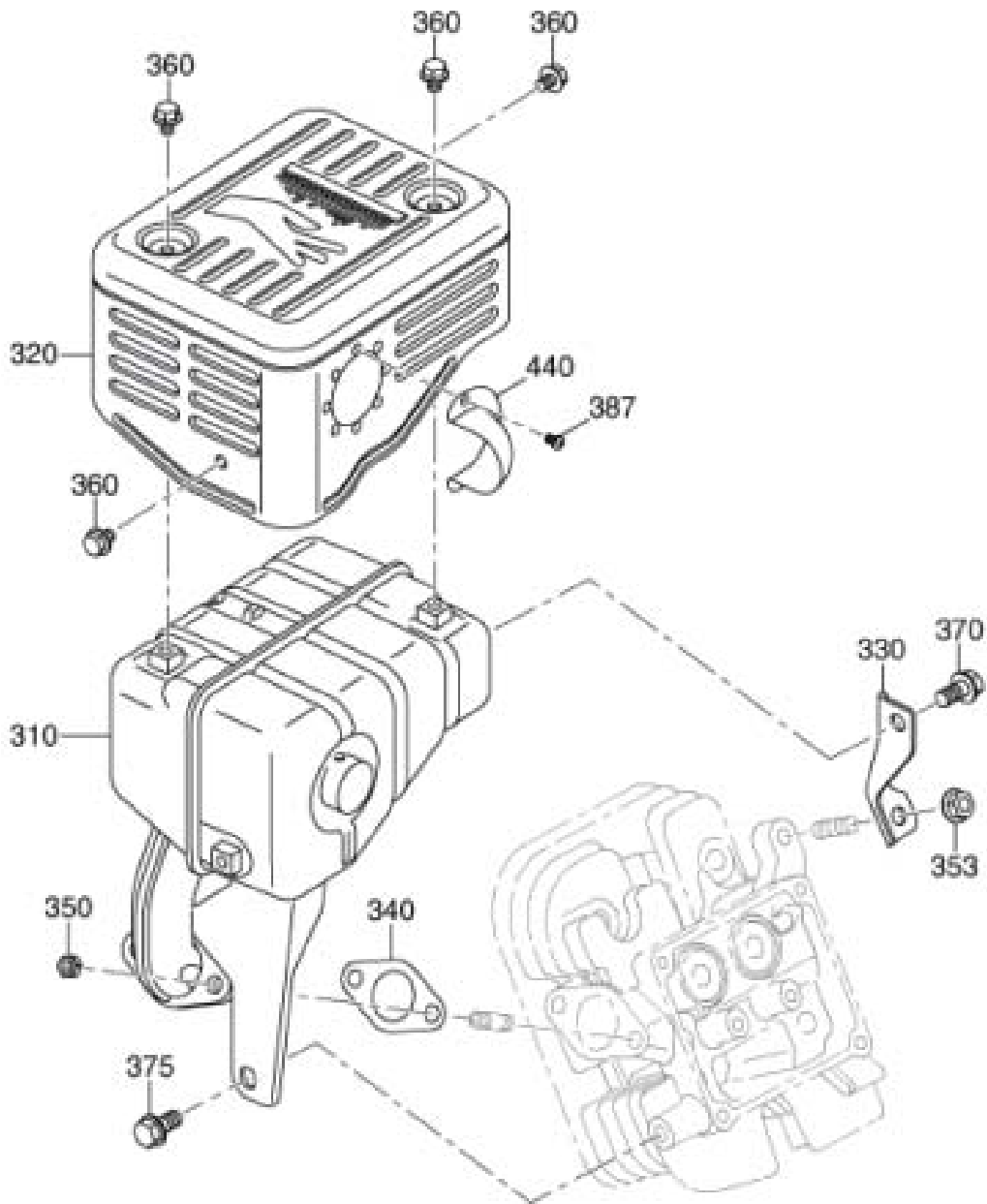
3 INTAKE,EXHAUST GROUP

FIG.317



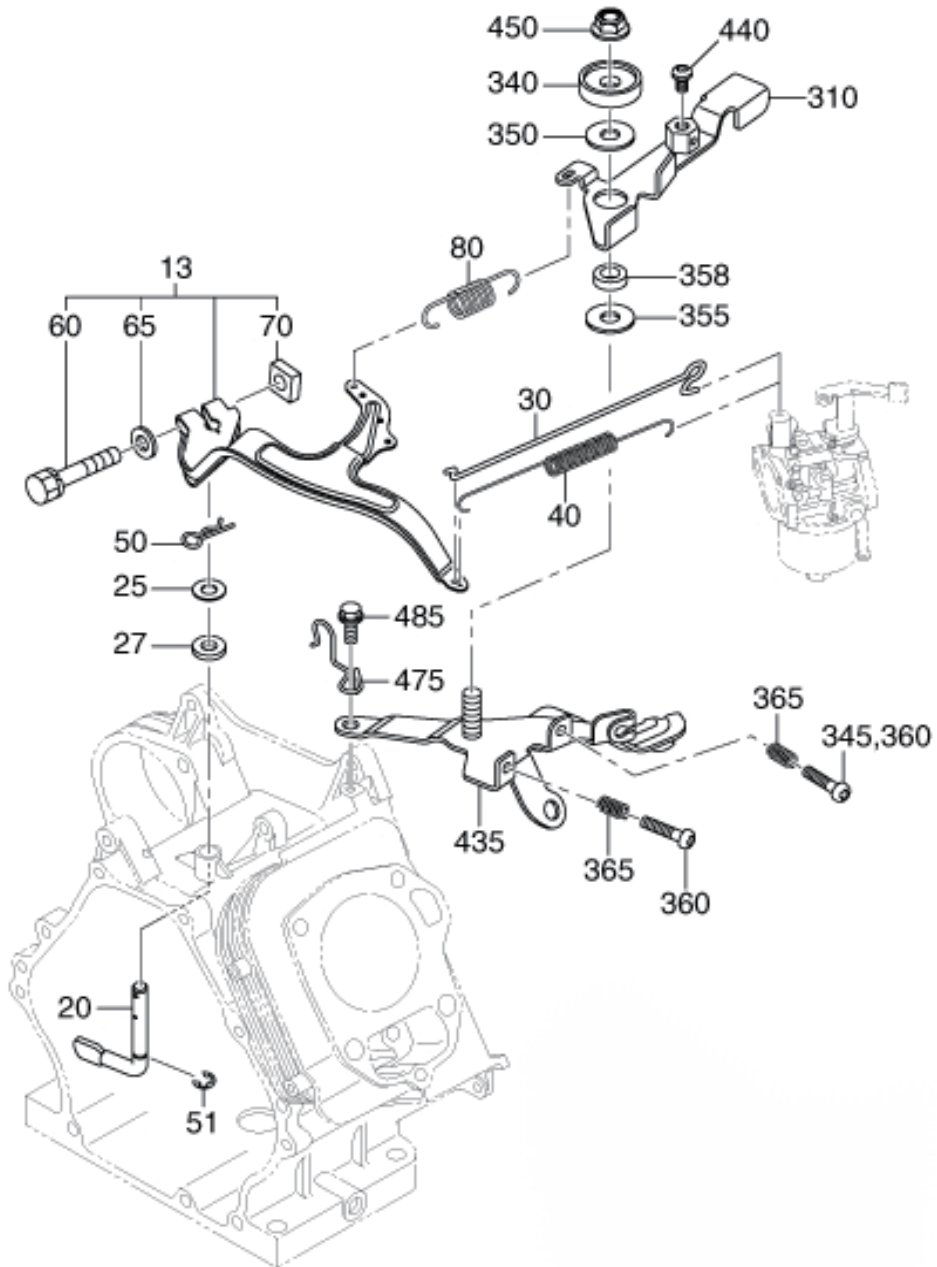
3 INTAKE,EXHAUST GROUP

FIG.330



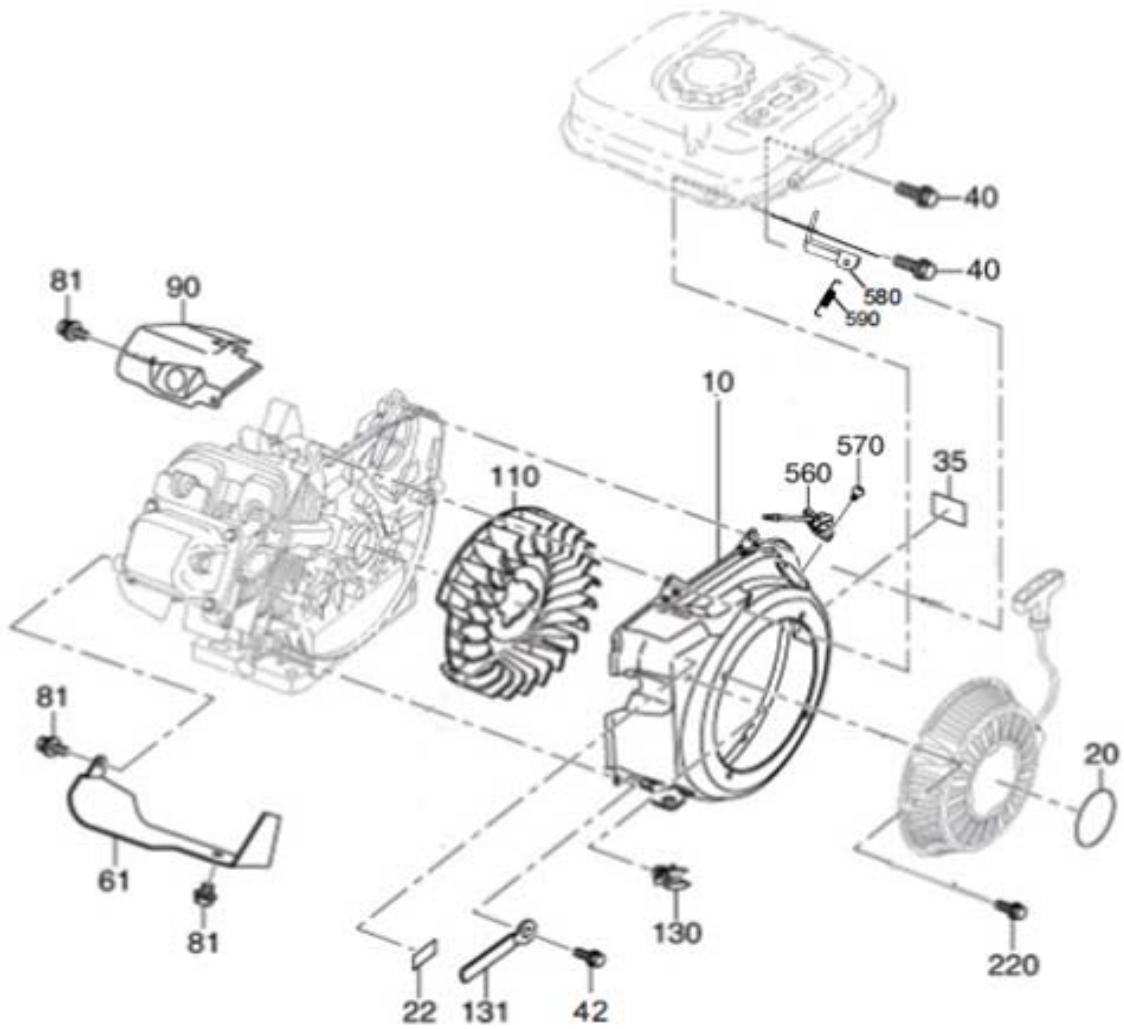
4 GOVERNOR GROUP

FIG.400



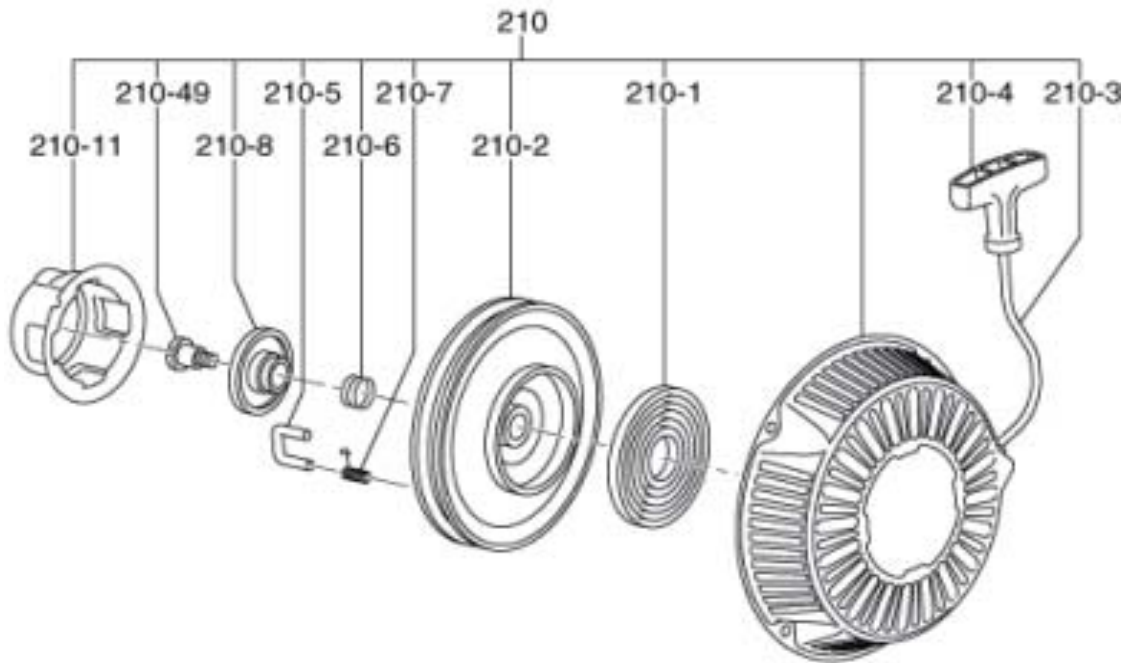
5 COOLING,STARTING GR

FIG.500



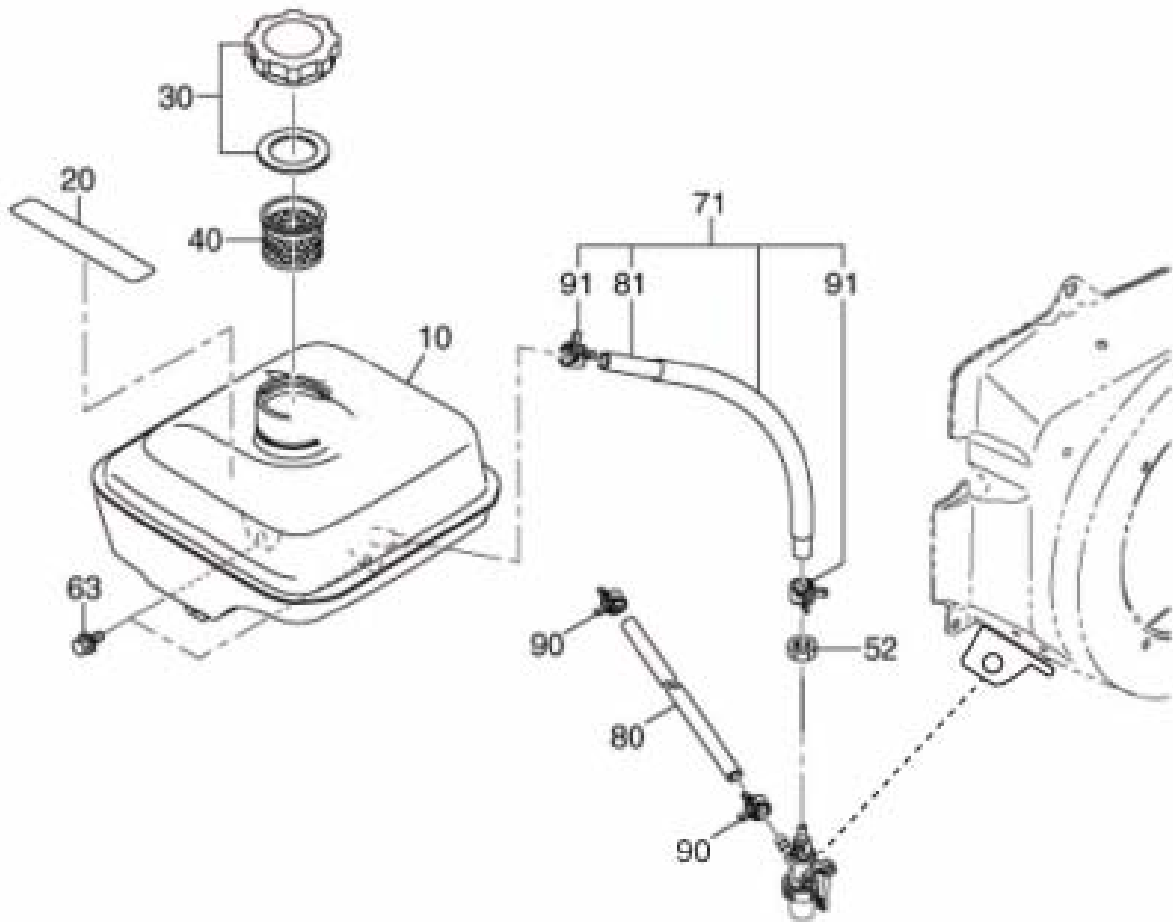
5 COOLING, STARTING GR

FIG.520



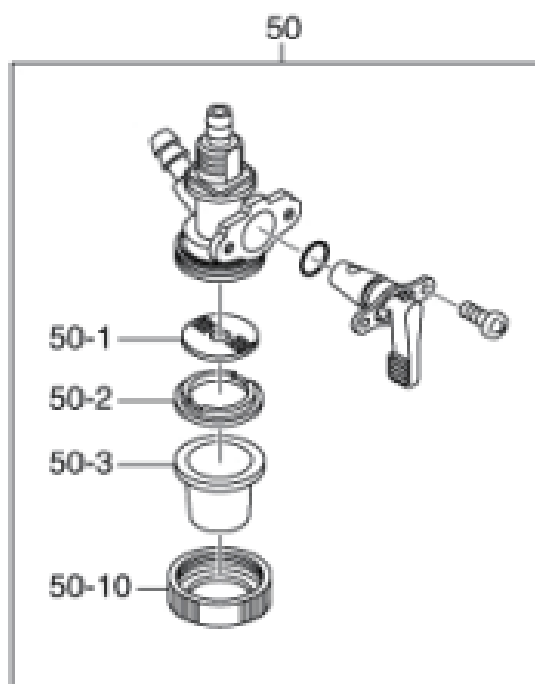
6 FUEL LUBRICANT GROUP

FIG.600



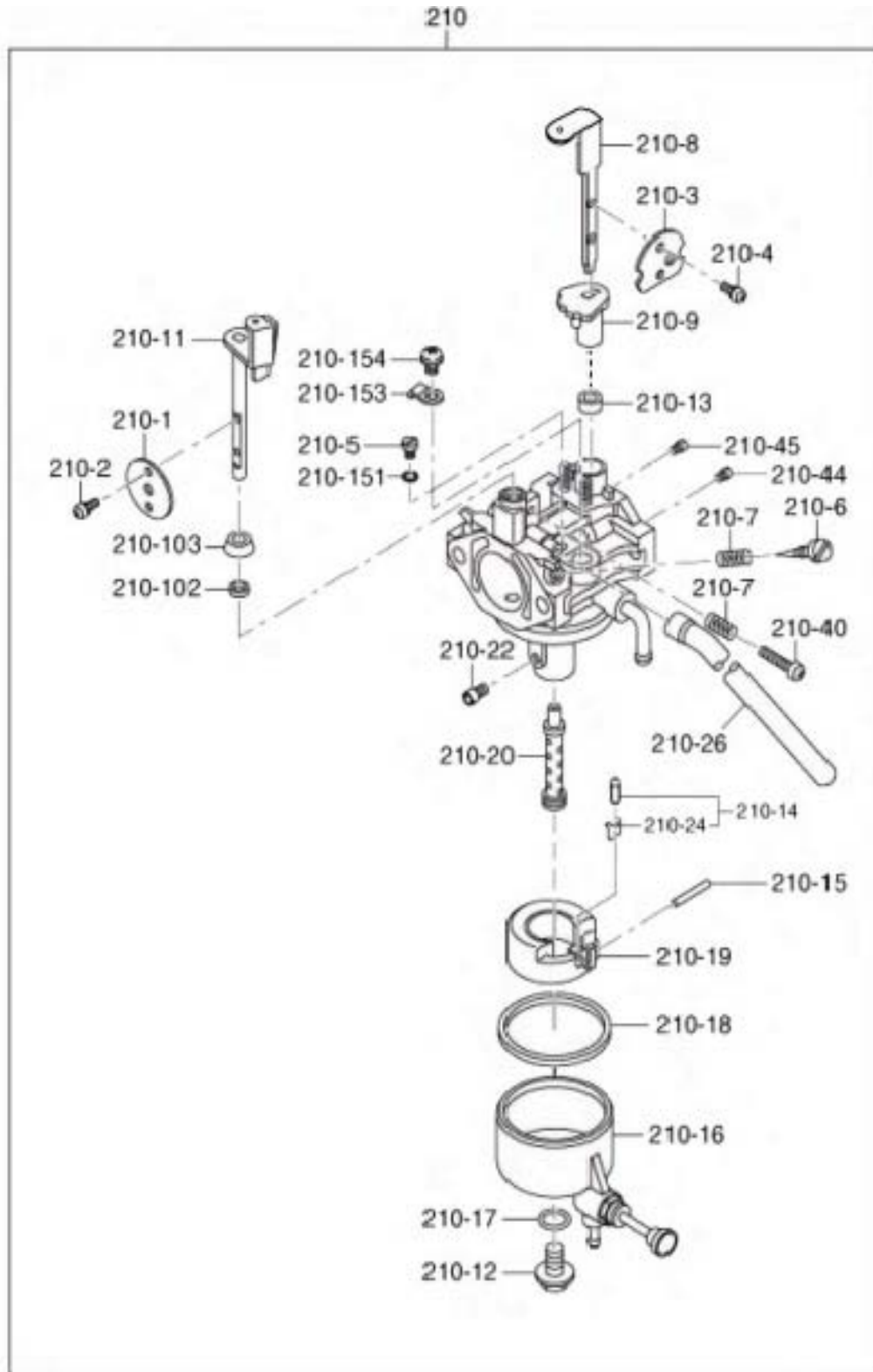
6 FUEL LUBRICANT GROUP

FIG.630



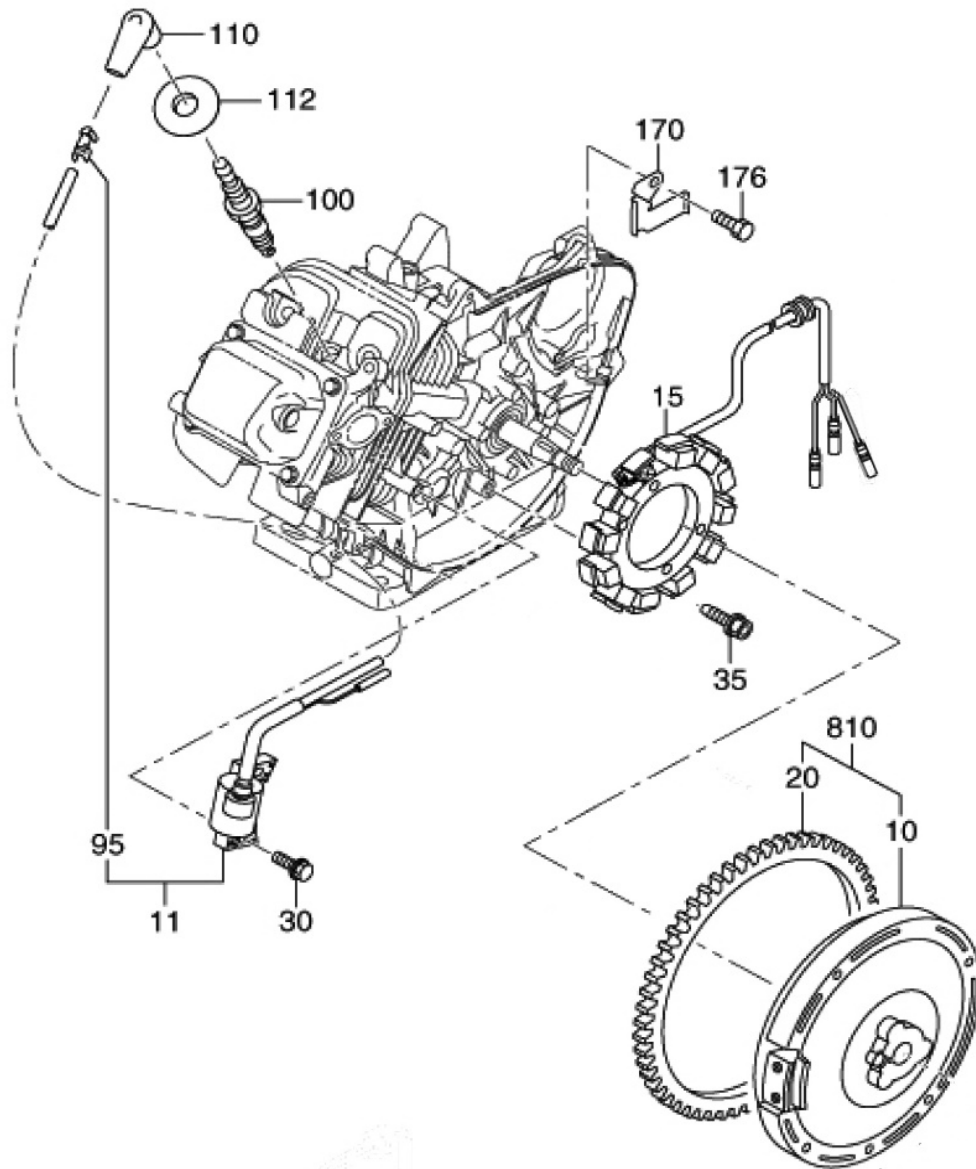
6 FUEL LUBRICANT GROUP

FIG.640



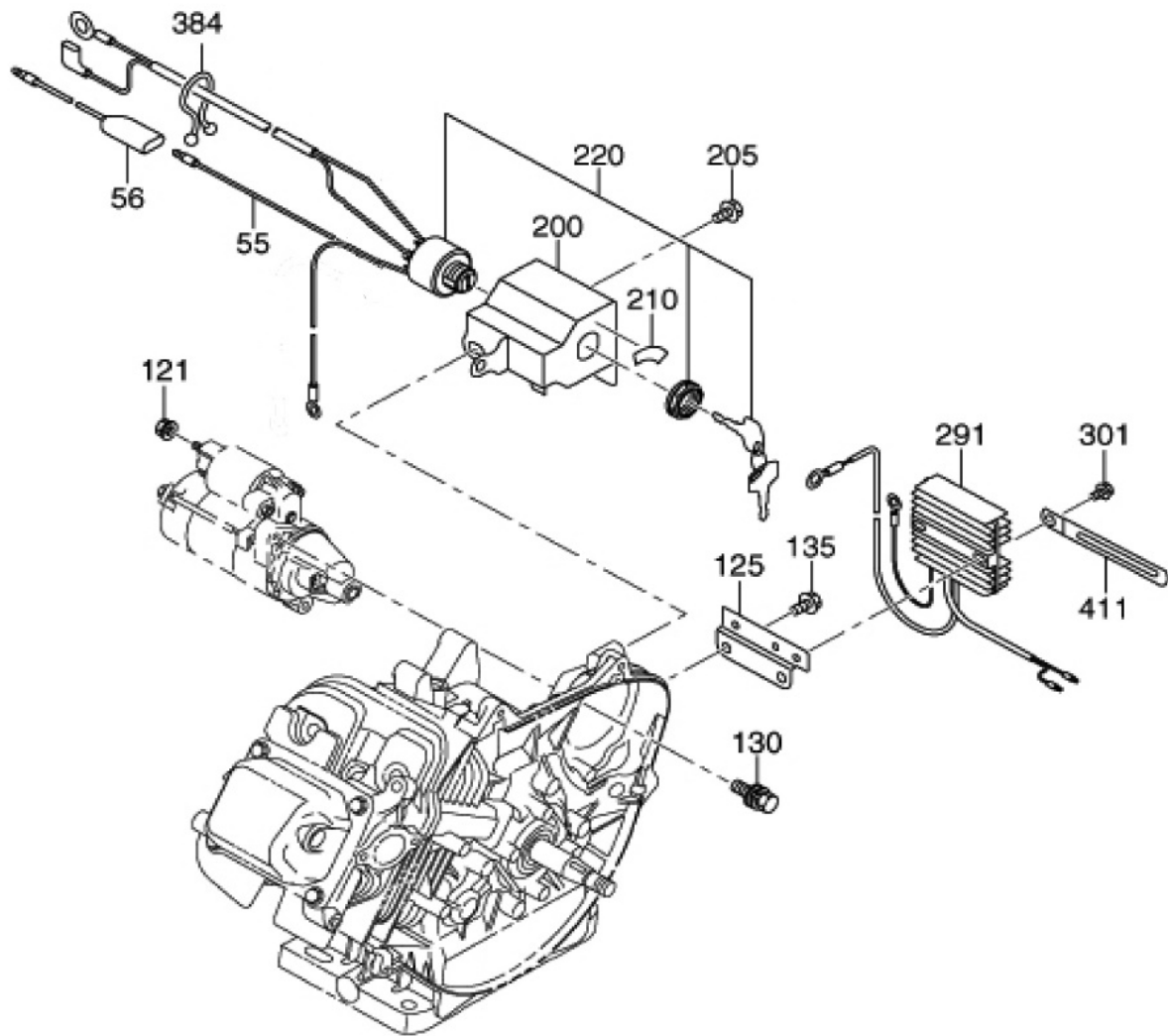
7 ELECTRIC DEVICE GR

FIG.700



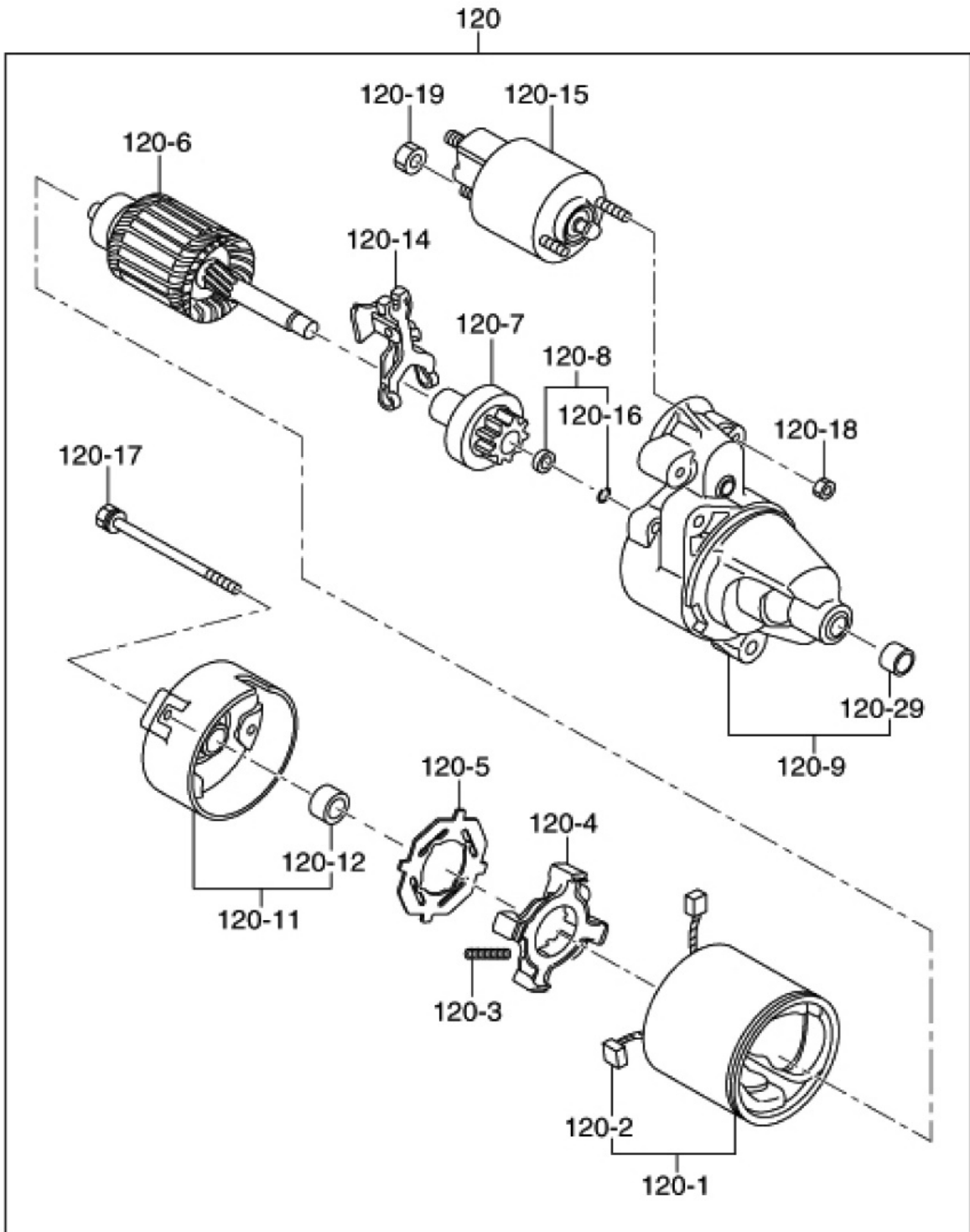
7 ELECTRIC DEVICE GR

FIG.720



7 ELECTRIC DEVICE GR

FIG.730



9 ACCESSORIES LABEL GR

FIG.900

