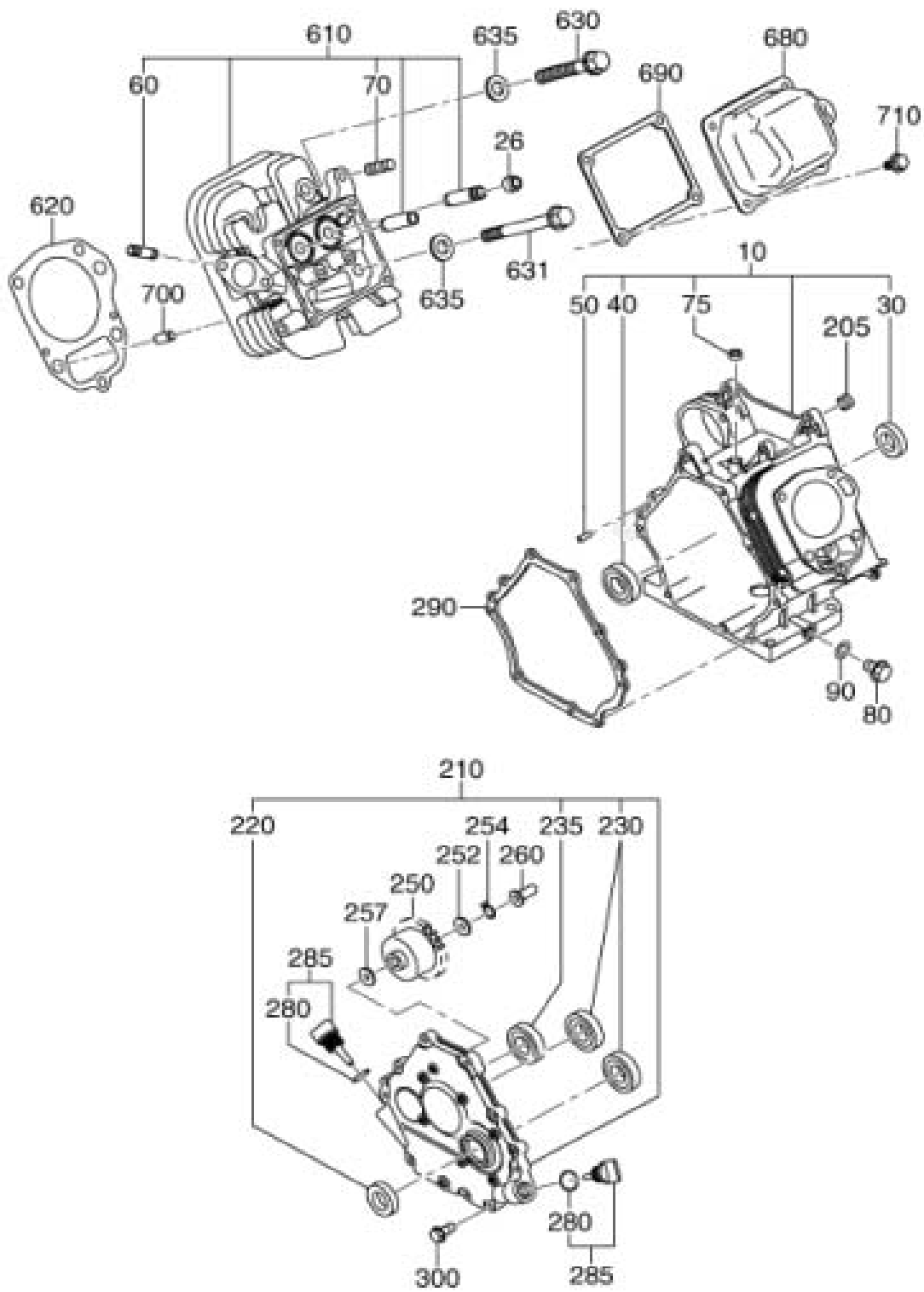


1 CRANK CASE GROUP

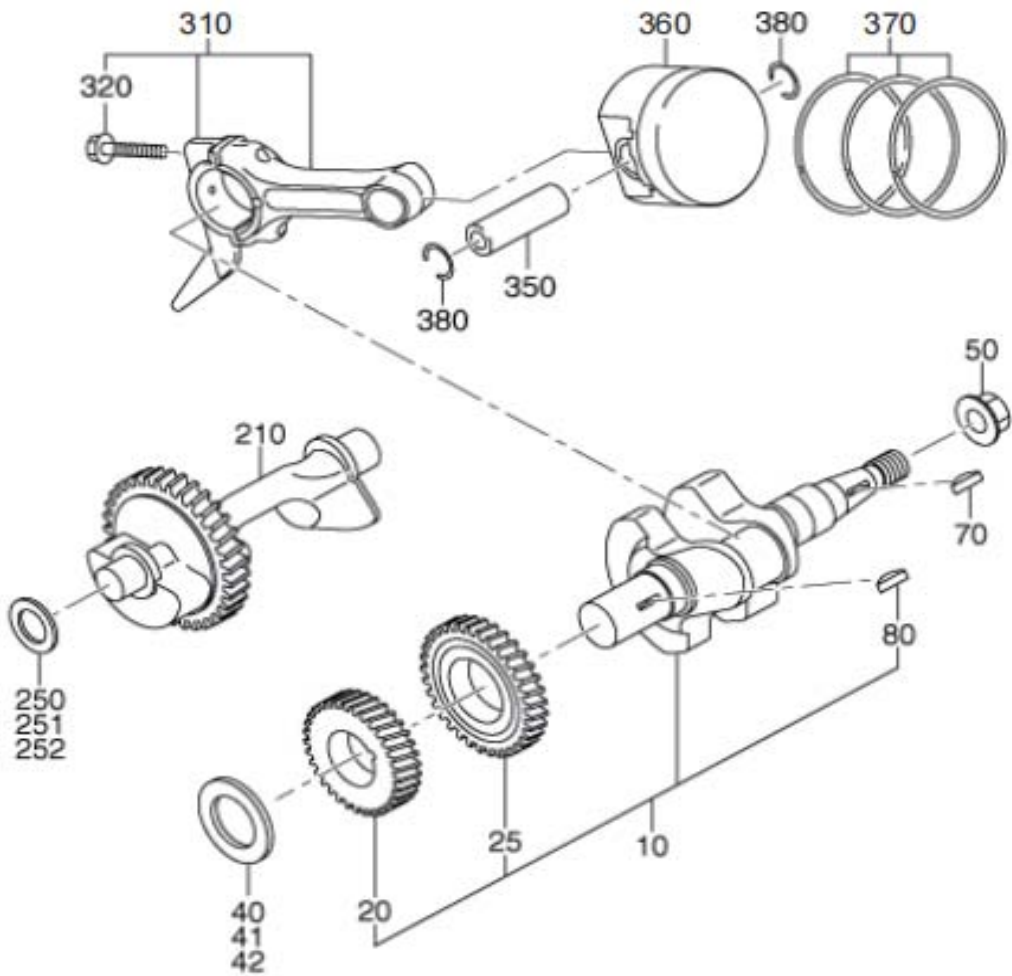
FIG.100



960— GASKET SET

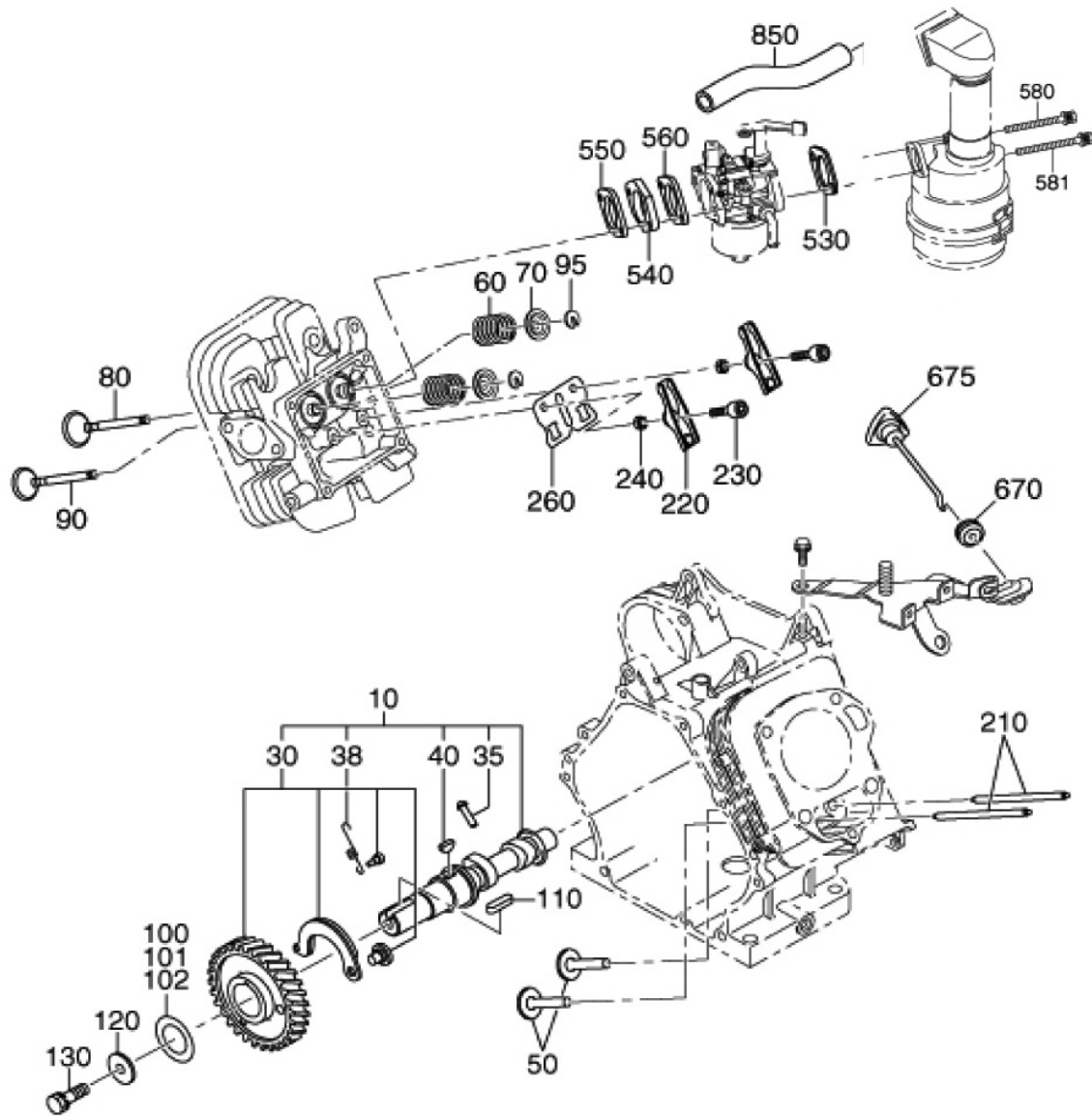
2 CRANK,PISTON GROUP

FIG.200



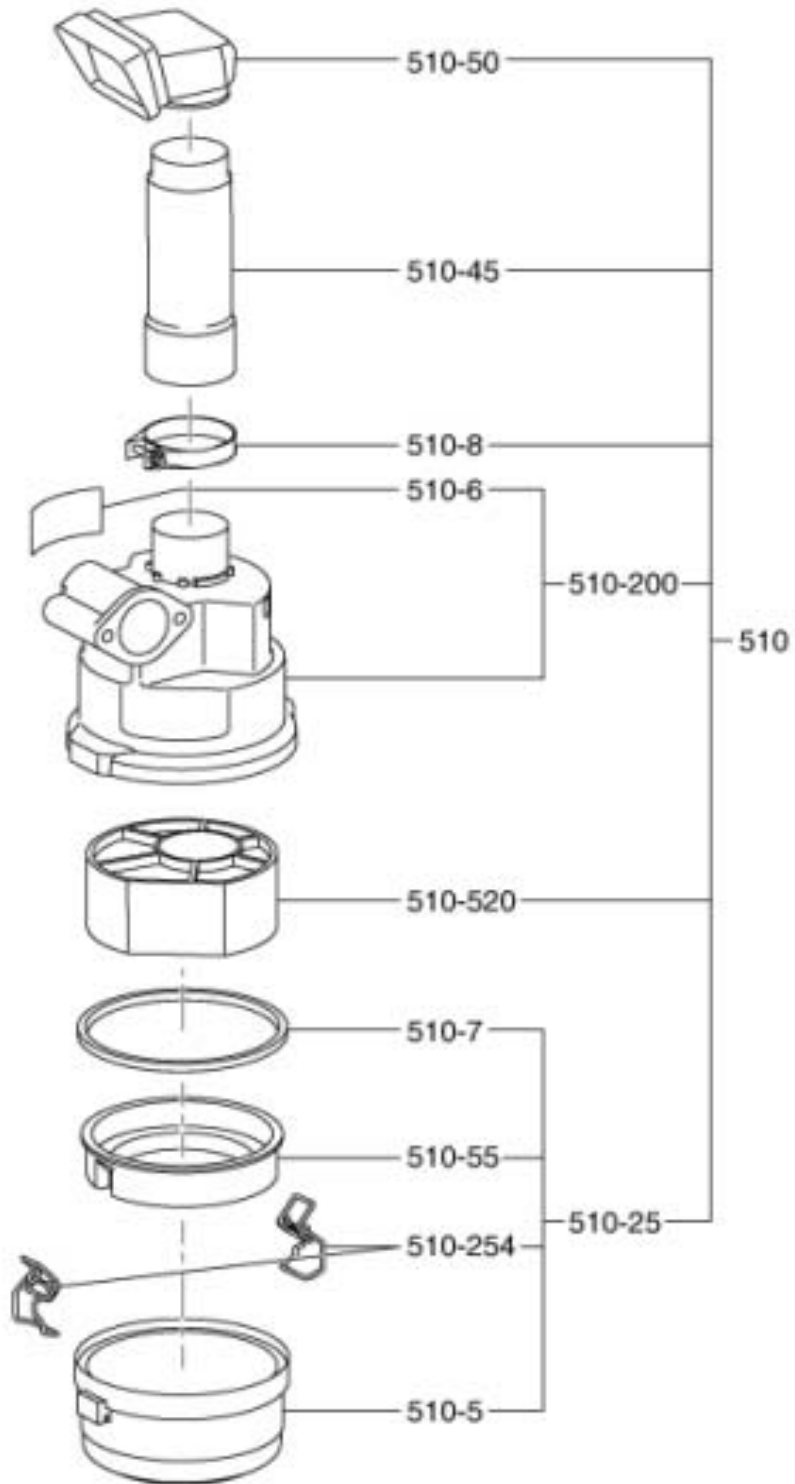
3 INTAKE,EXHAUST GROUP

FIG.300



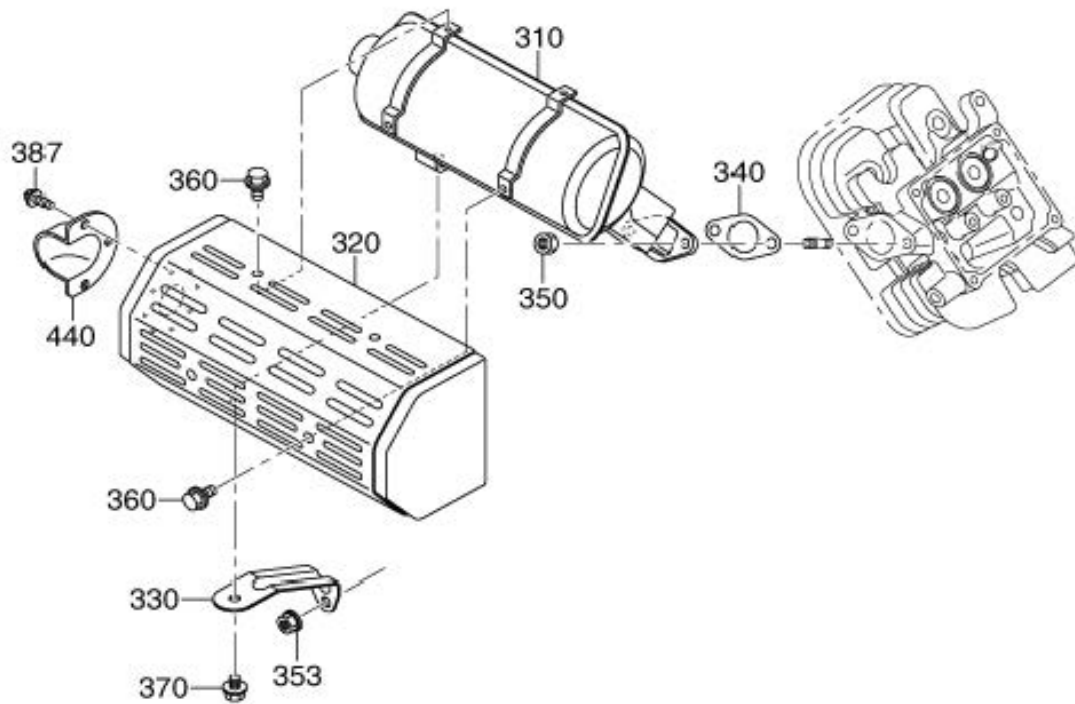
3 INTAKE,EXHAUST GROUP

FIG.317



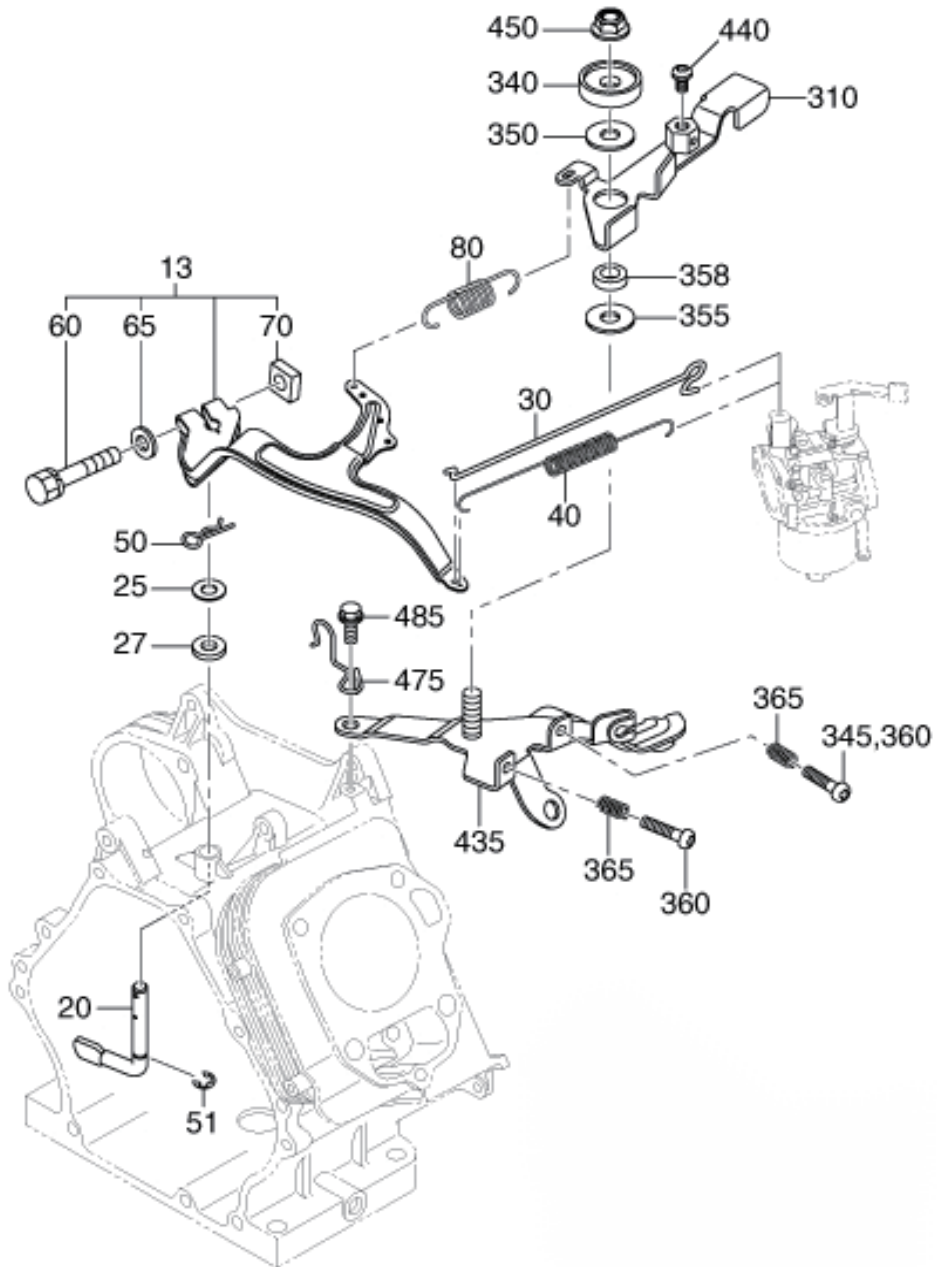
3 INTAKE,EXHAUST GROUP

FIG.331



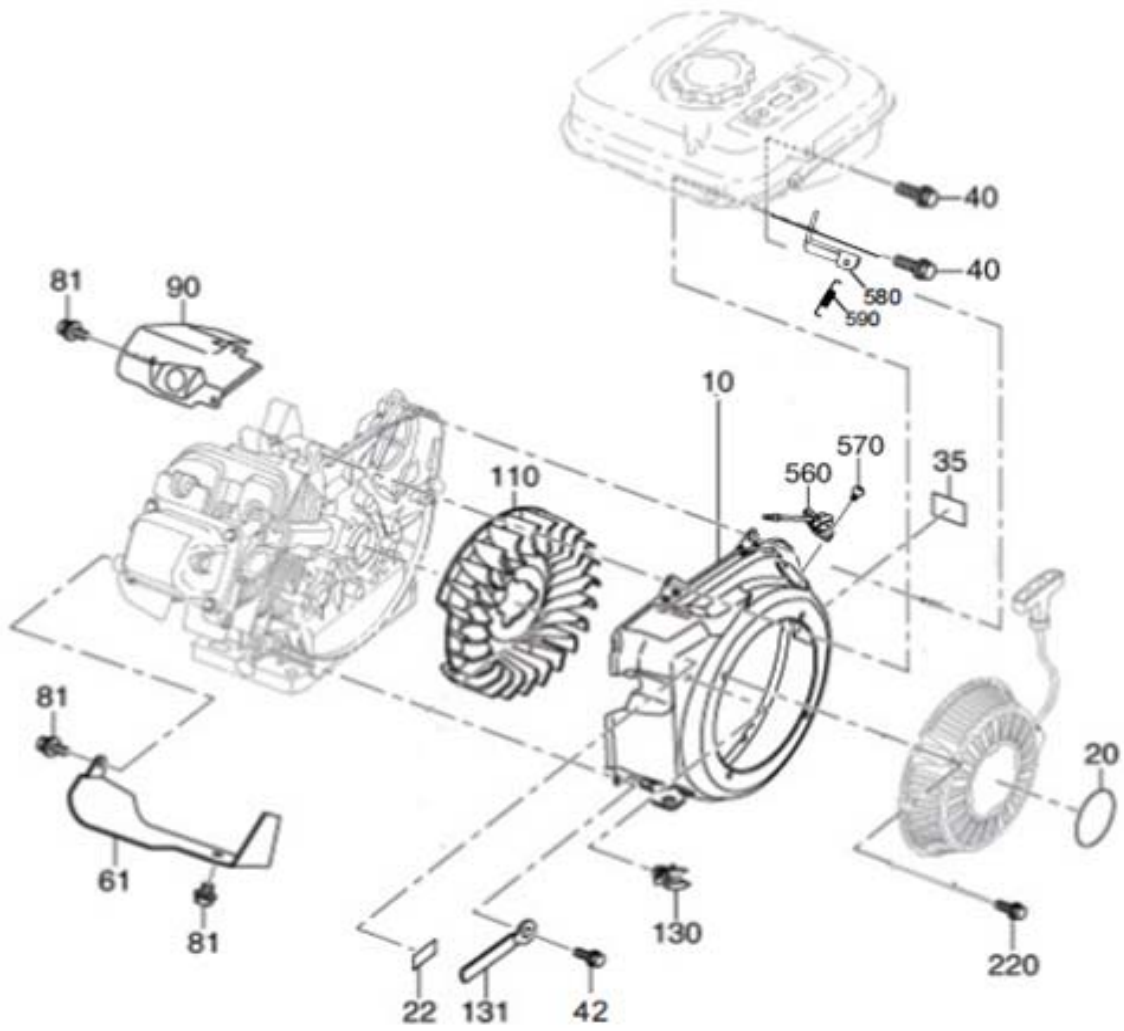
4 GOVERNOR GROUP

FIG.400



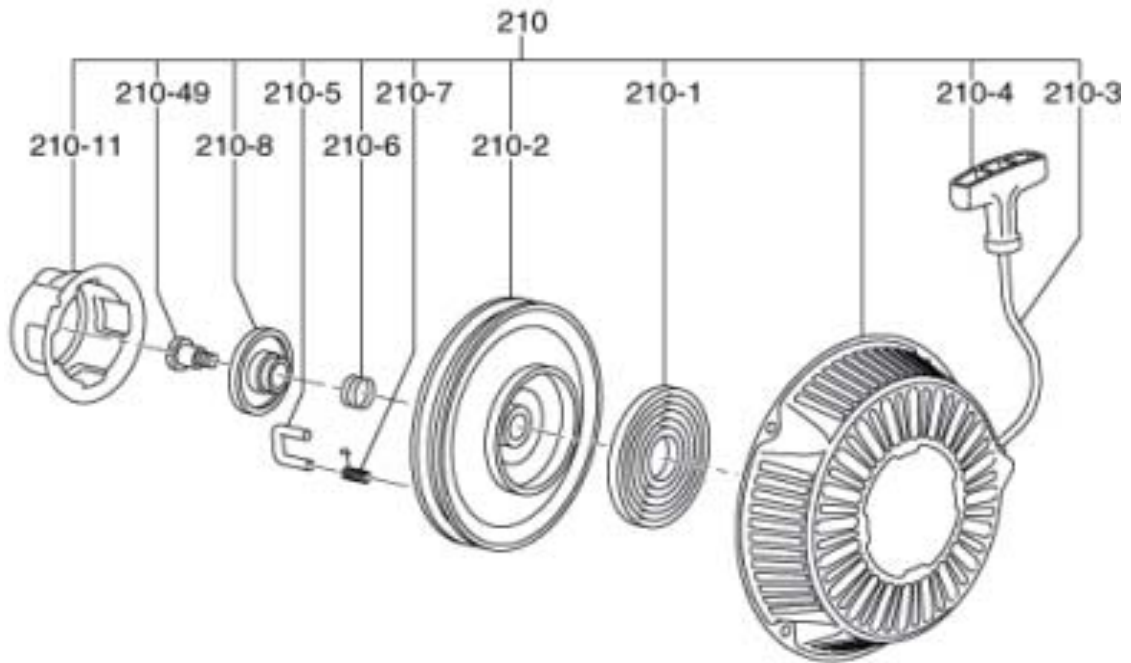
5 COOLING,STARTING GR

FIG.500



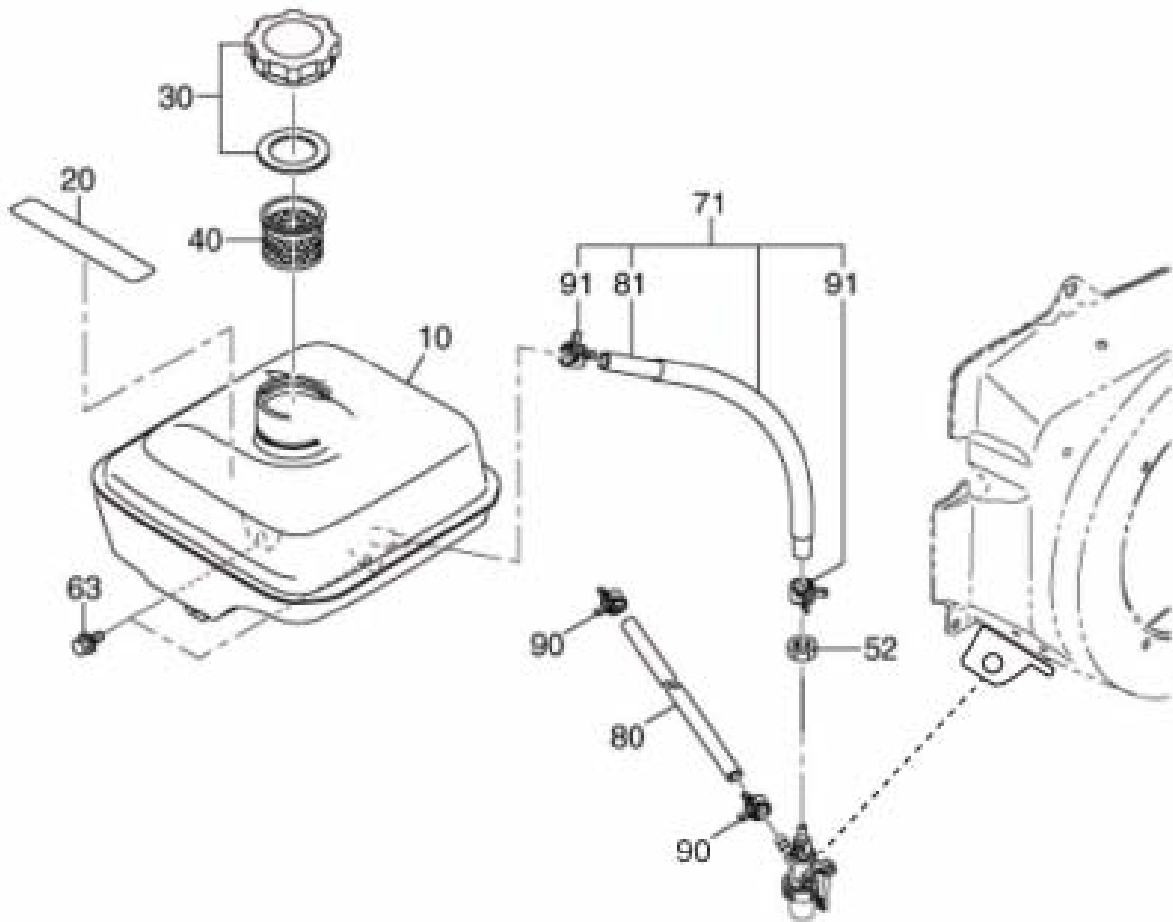
5 COOLING, STARTING GR

FIG.520



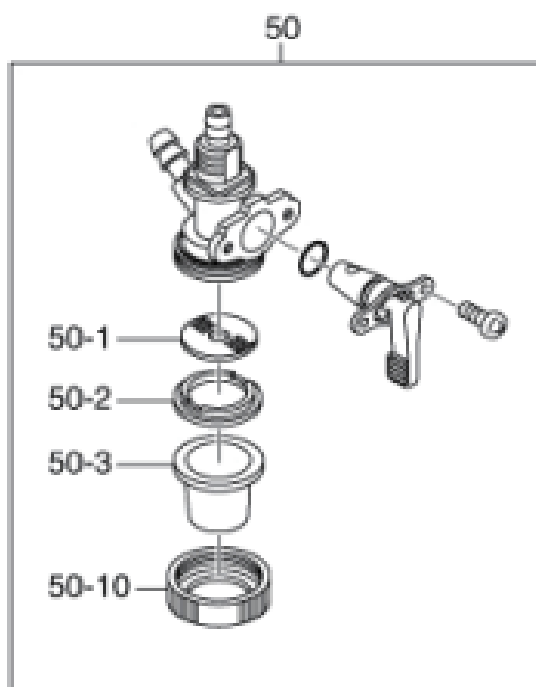
6 FUEL LUBRICANT GROUP

FIG.600



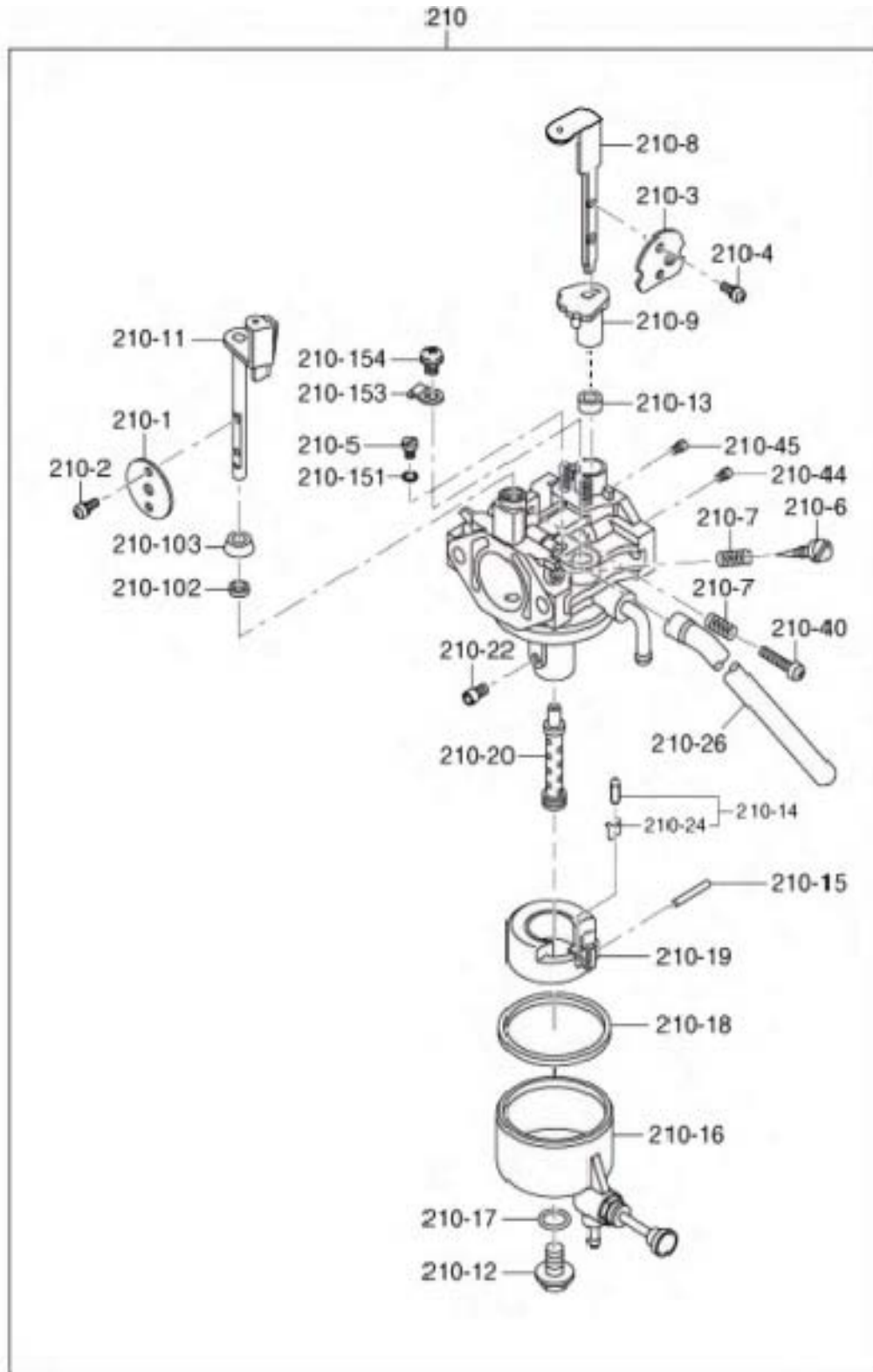
6 FUEL LUBRICANT GROUP

FIG.630



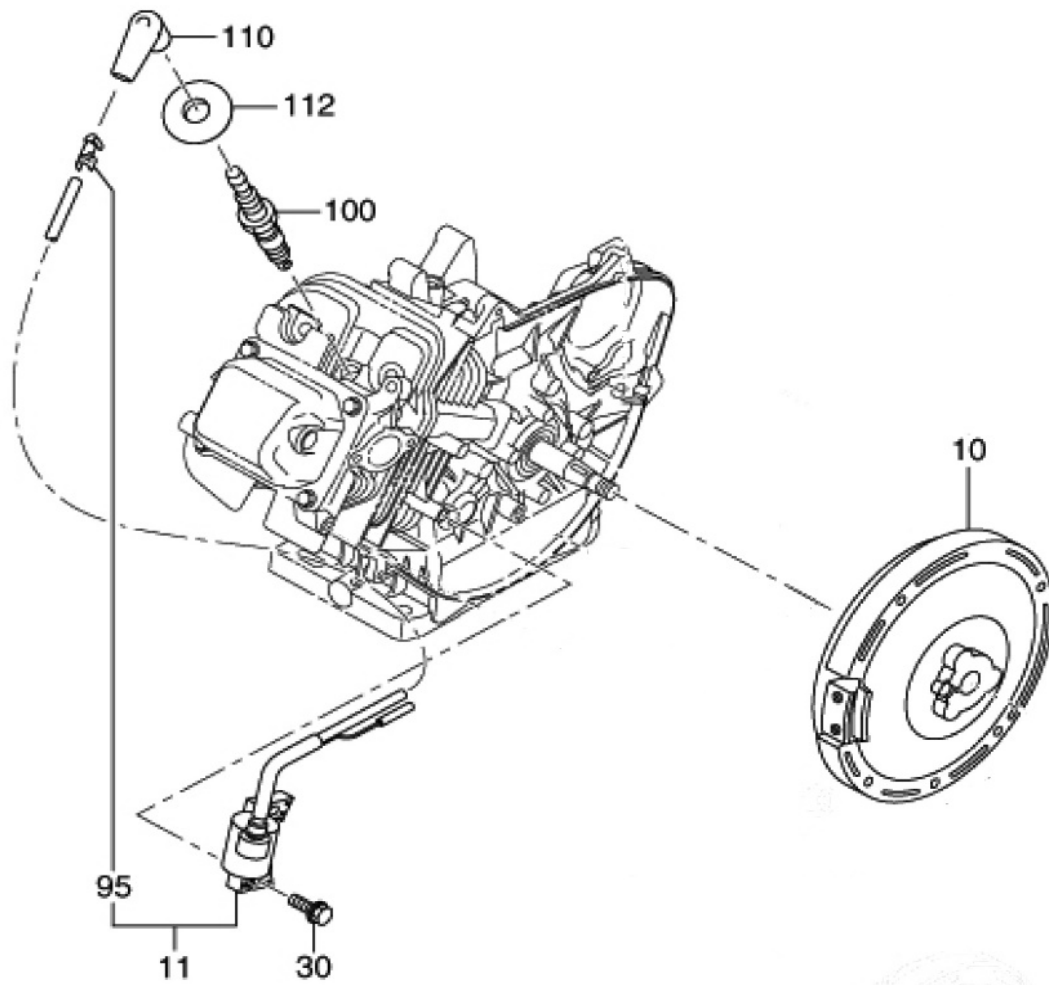
6 FUEL LUBRICANT GROUP

FIG.640



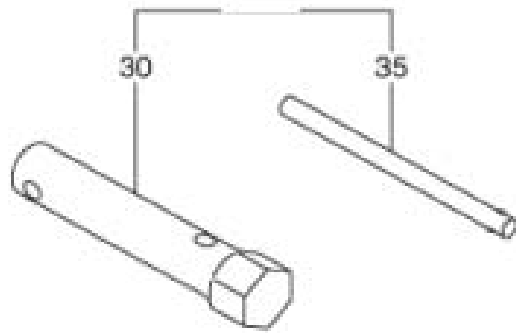
7 ELECTRIC DEVICE GR

FIG.700



9 ACCESSORIES LABEL GR

FIG.900



10 TANDOKU HASSO BUHIN

FIG.1000

