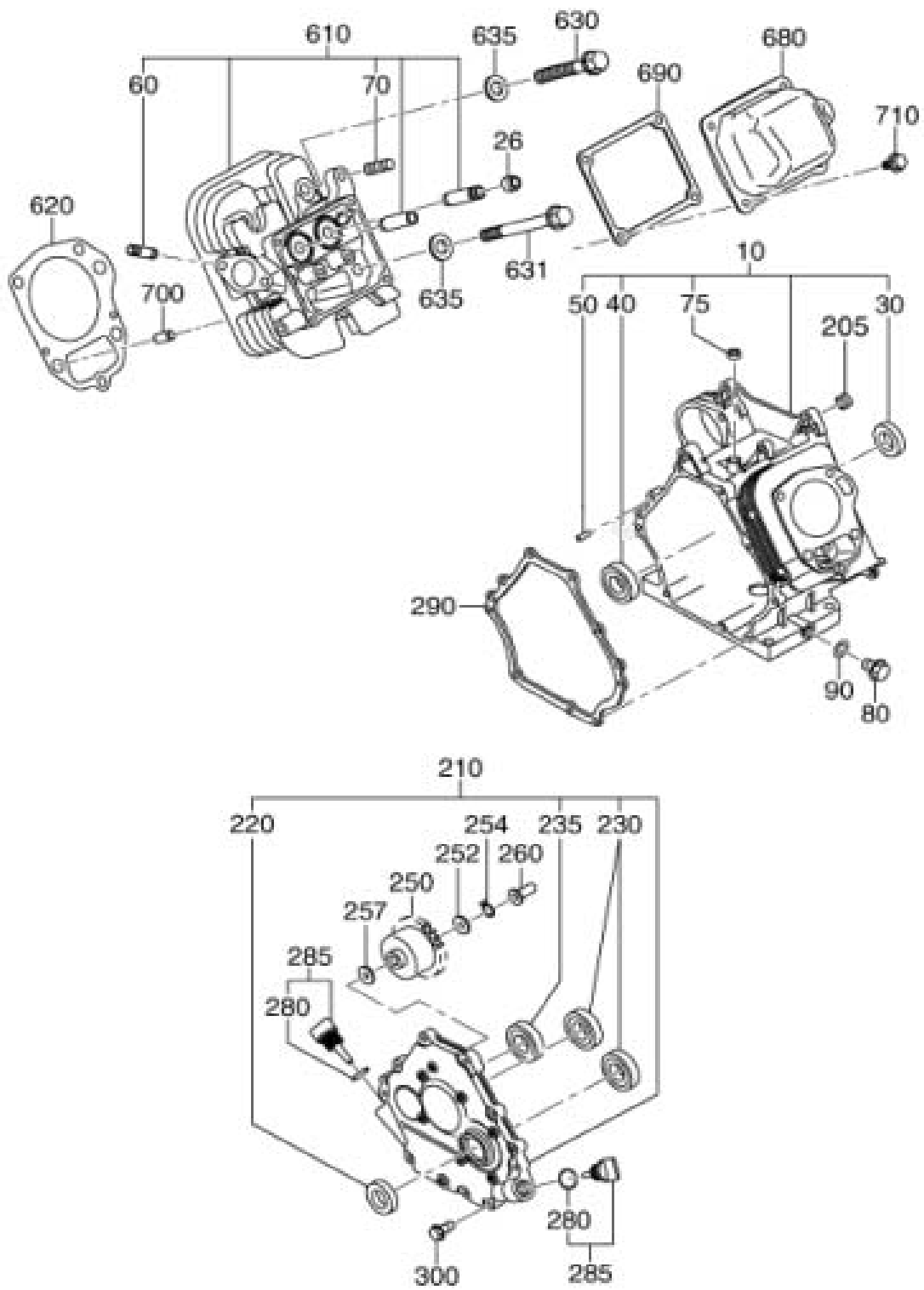


# 1 CRANK CASE GROUP

## FIG.100

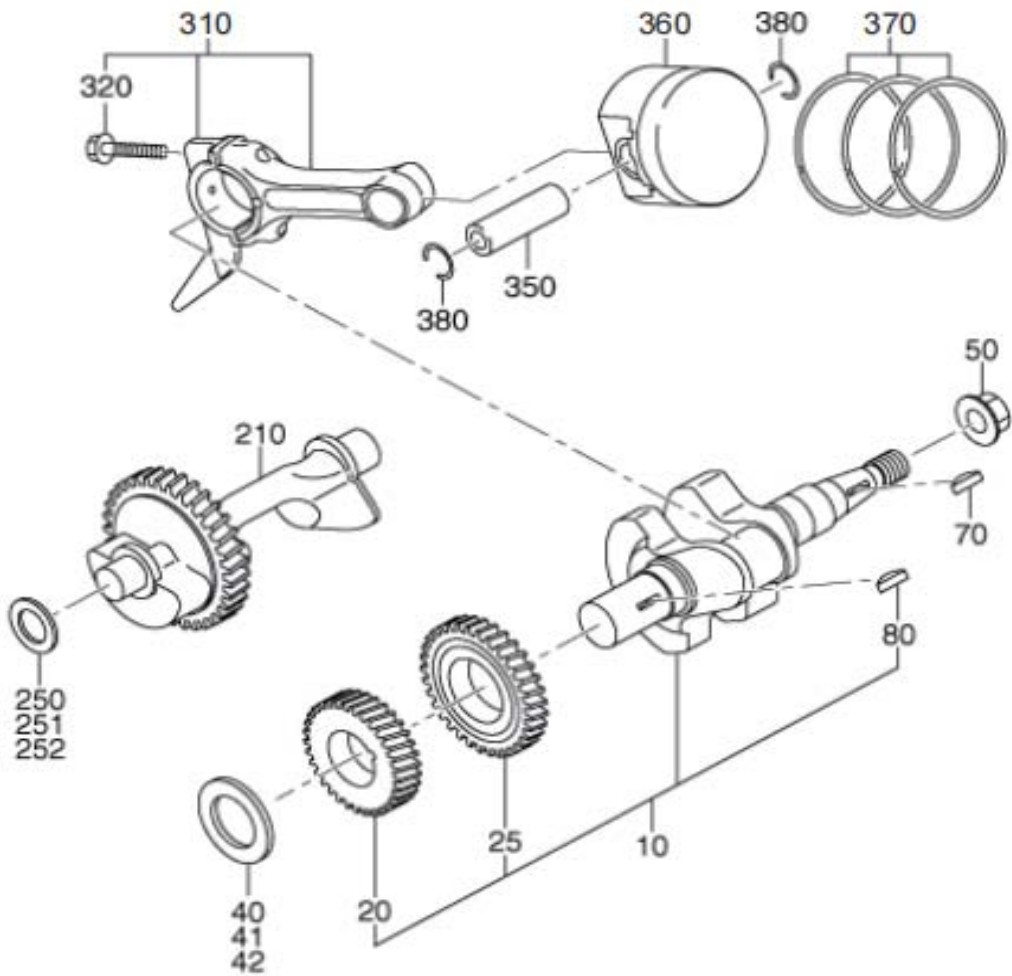


960— GASKET SET



2 CRANK,PISTON GROUP

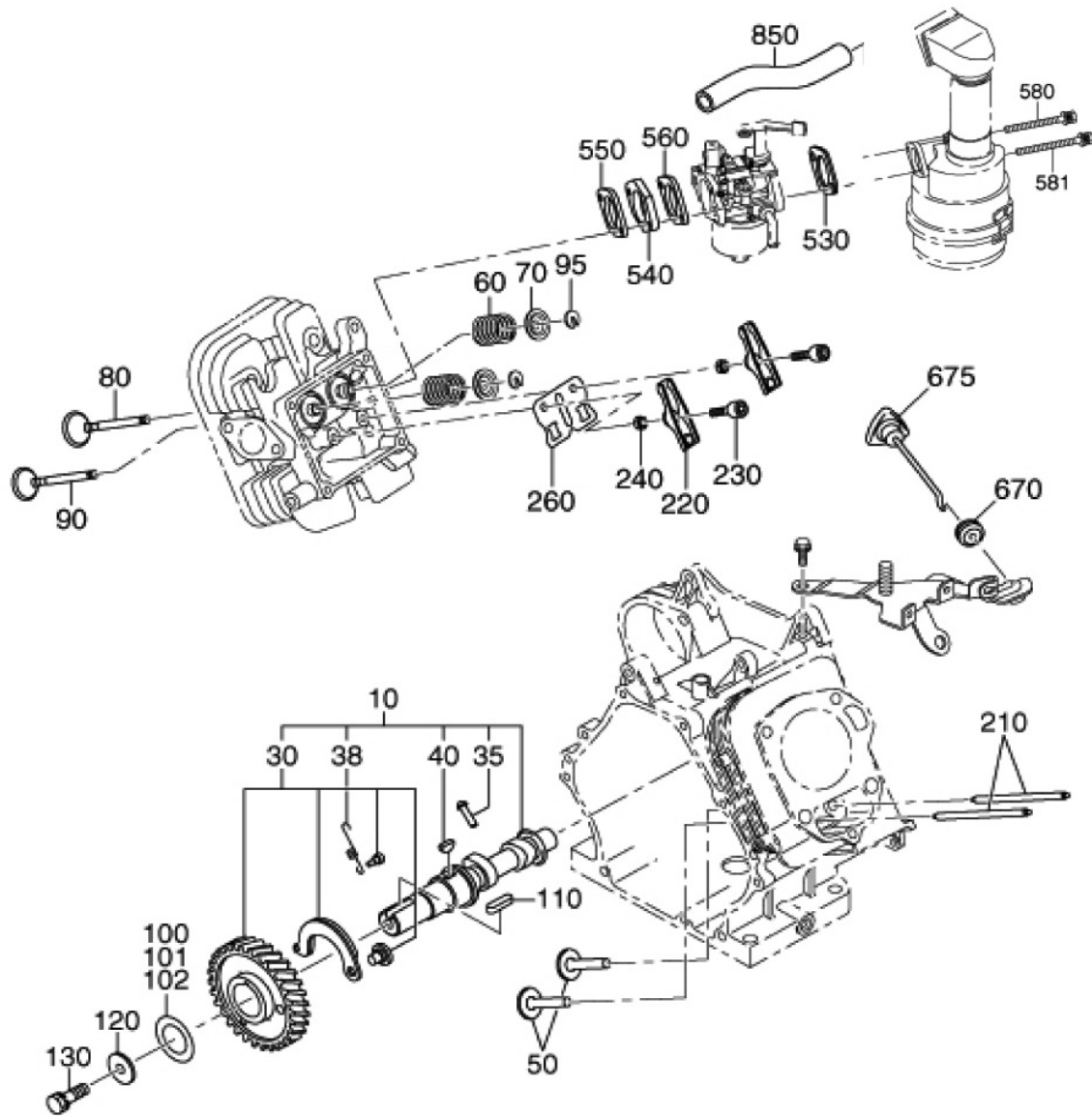
FIG.200





### 3 INTAKE,EXHAUST GROUP

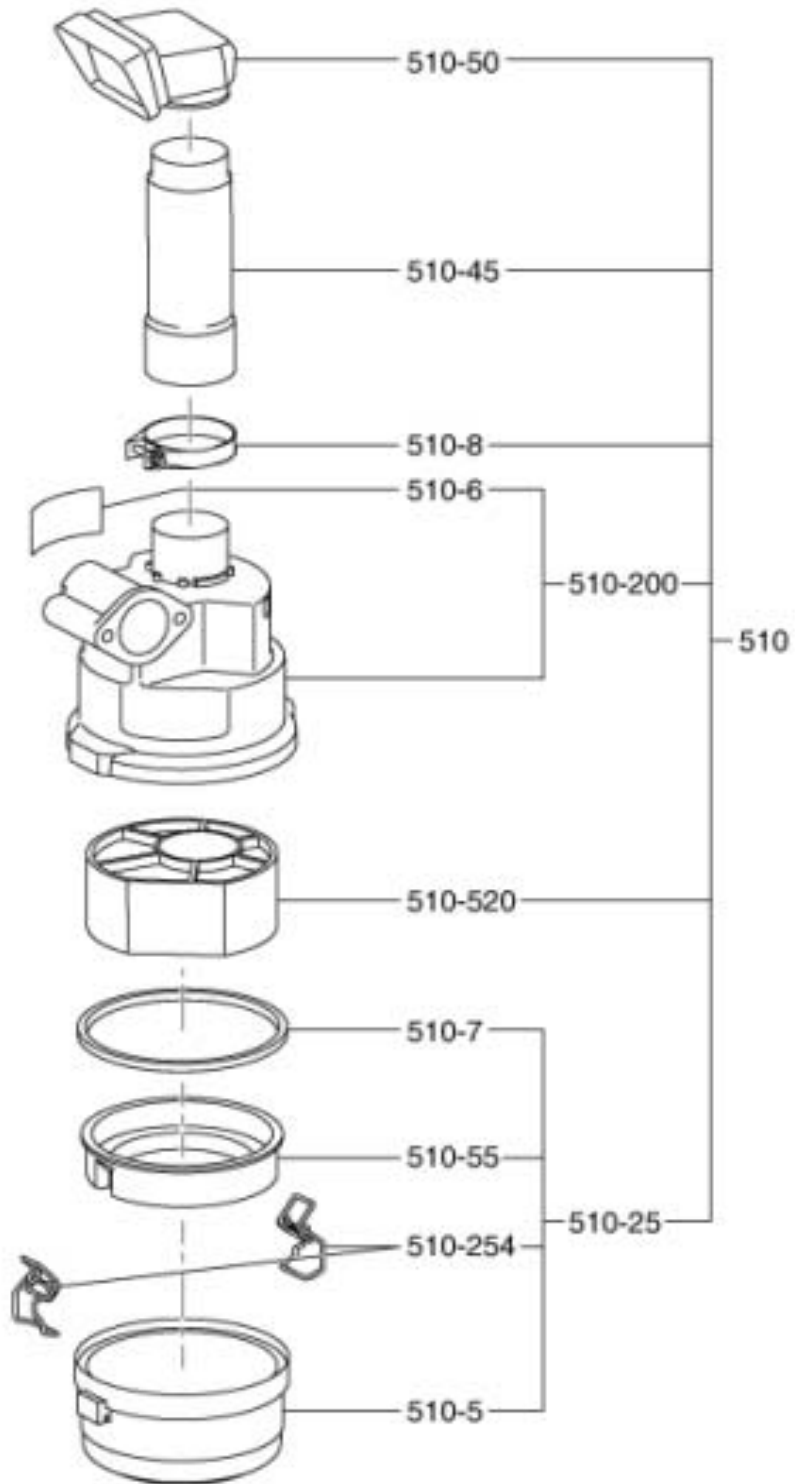
FIG.300





### 3 INTAKE,EXHAUST GROUP

FIG.317

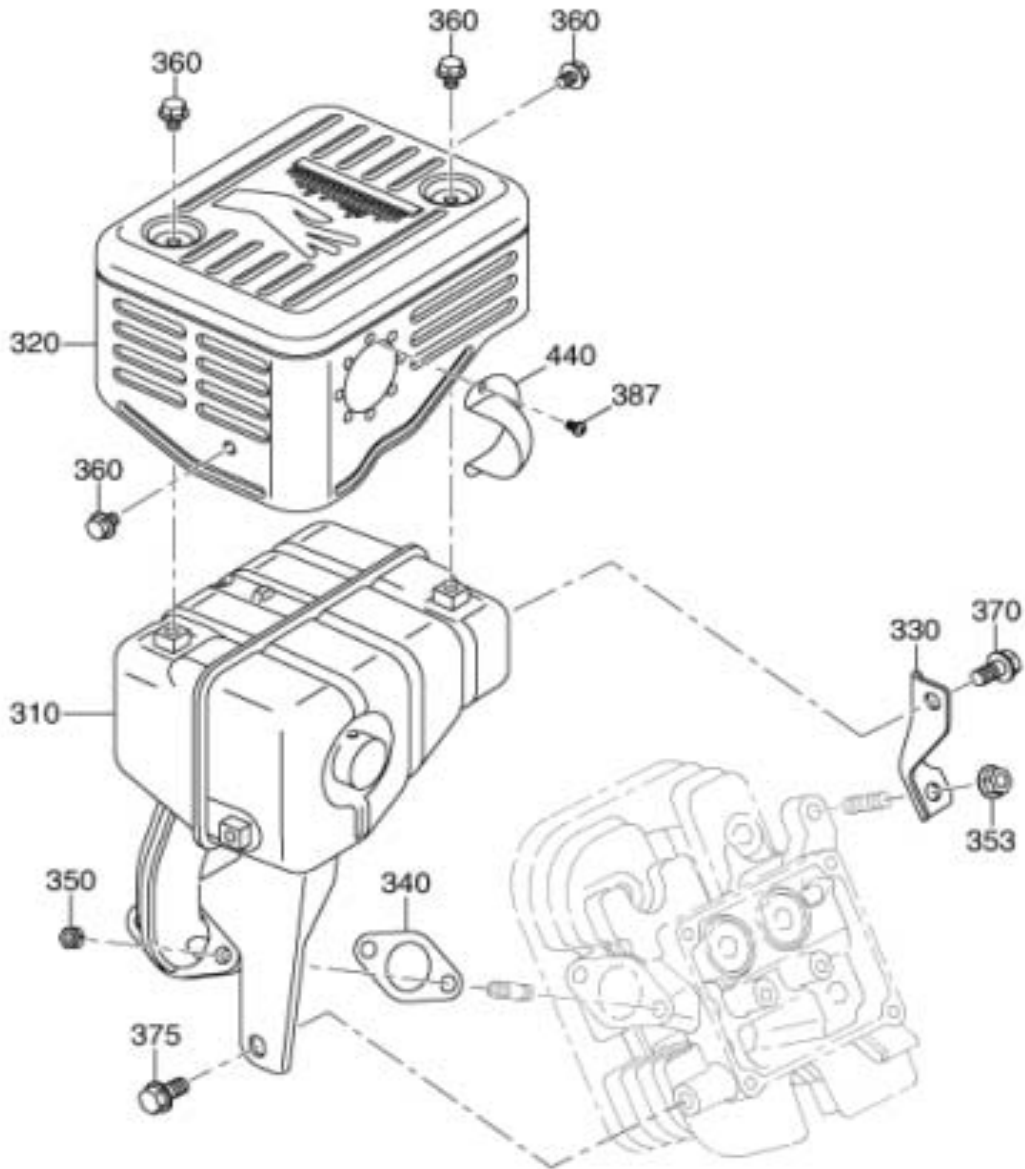






### 3 INTAKE,EXHAUST GROUP

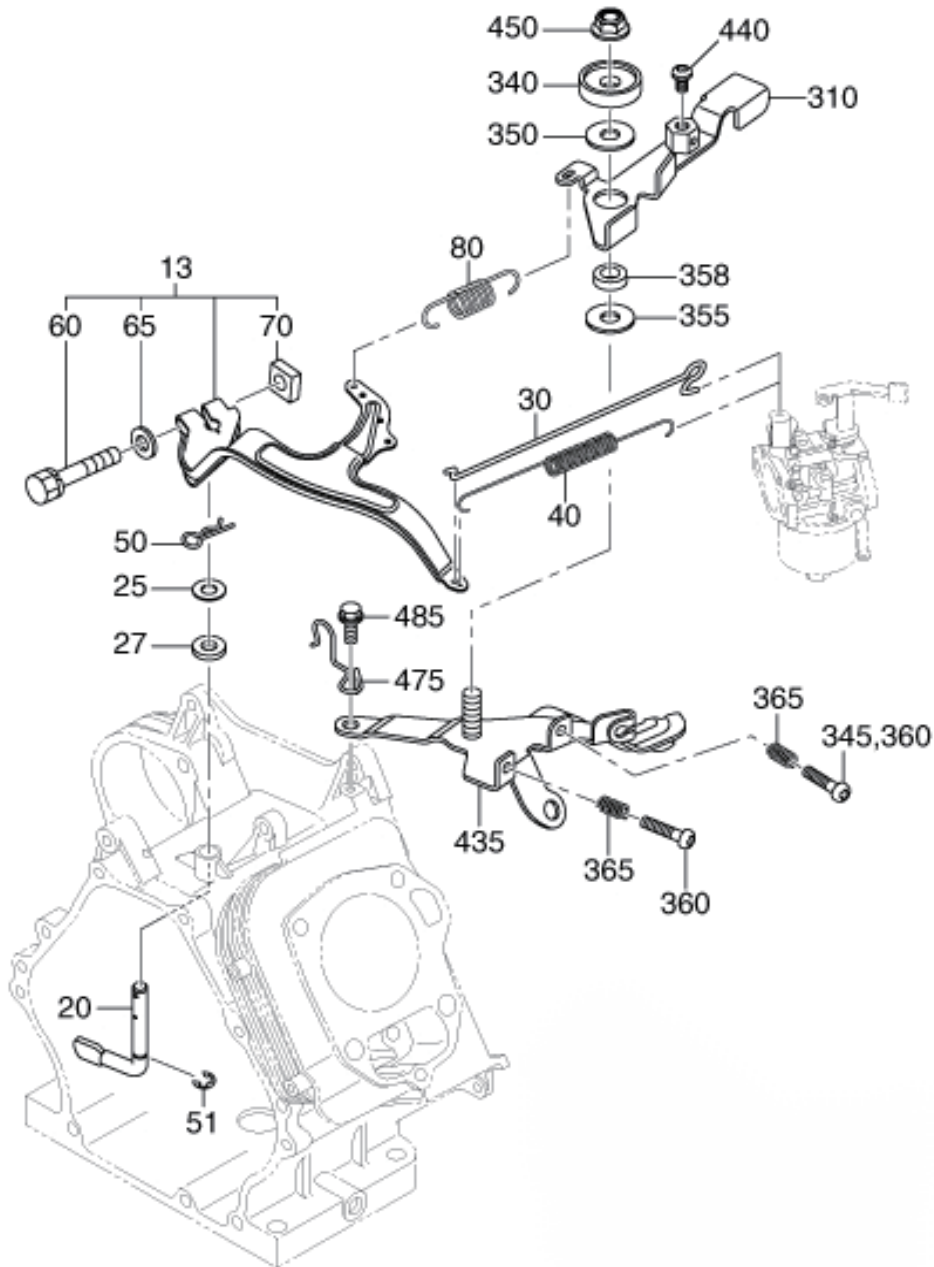
FIG.330





# 4 GOVERNOR GROUP

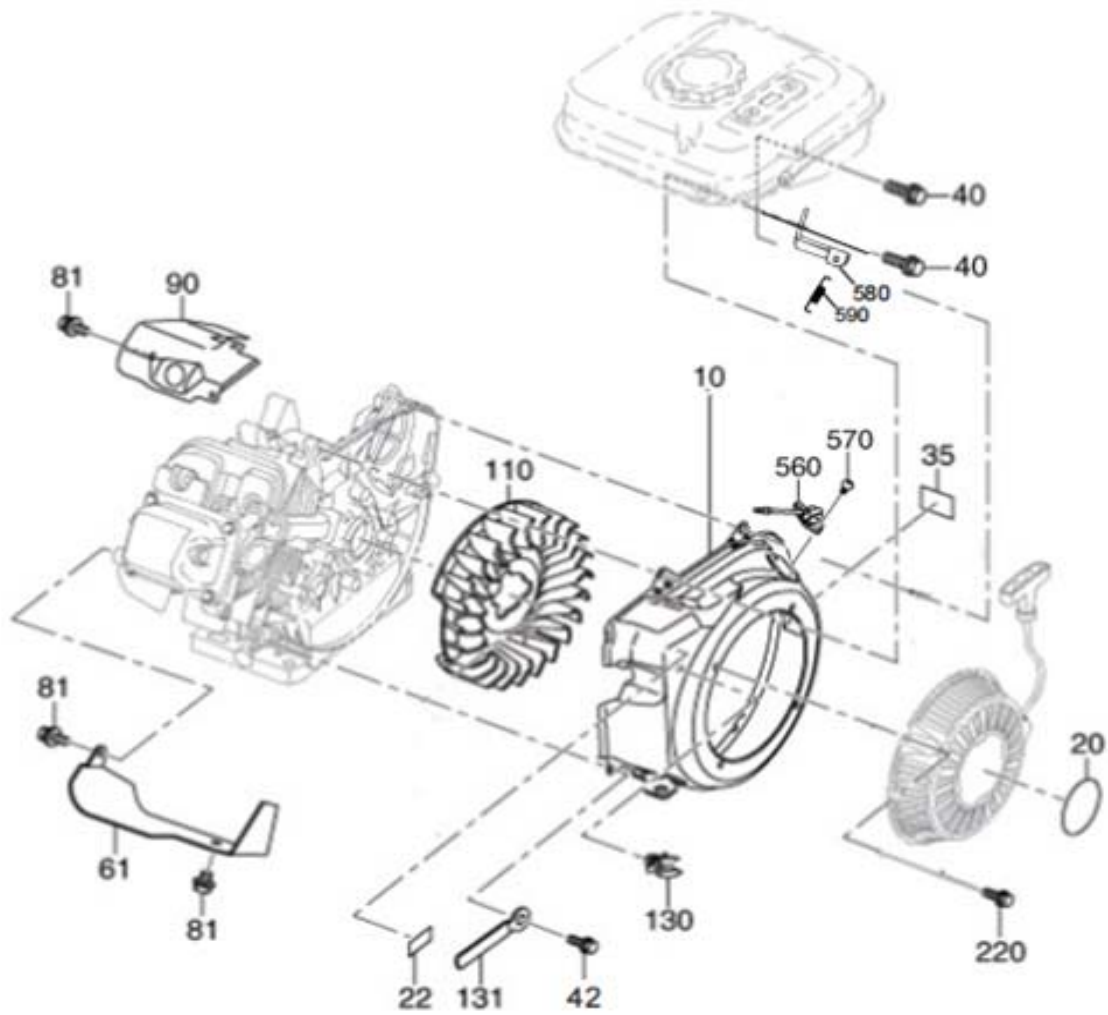
## FIG.400





5 COOLING,STARTING GR

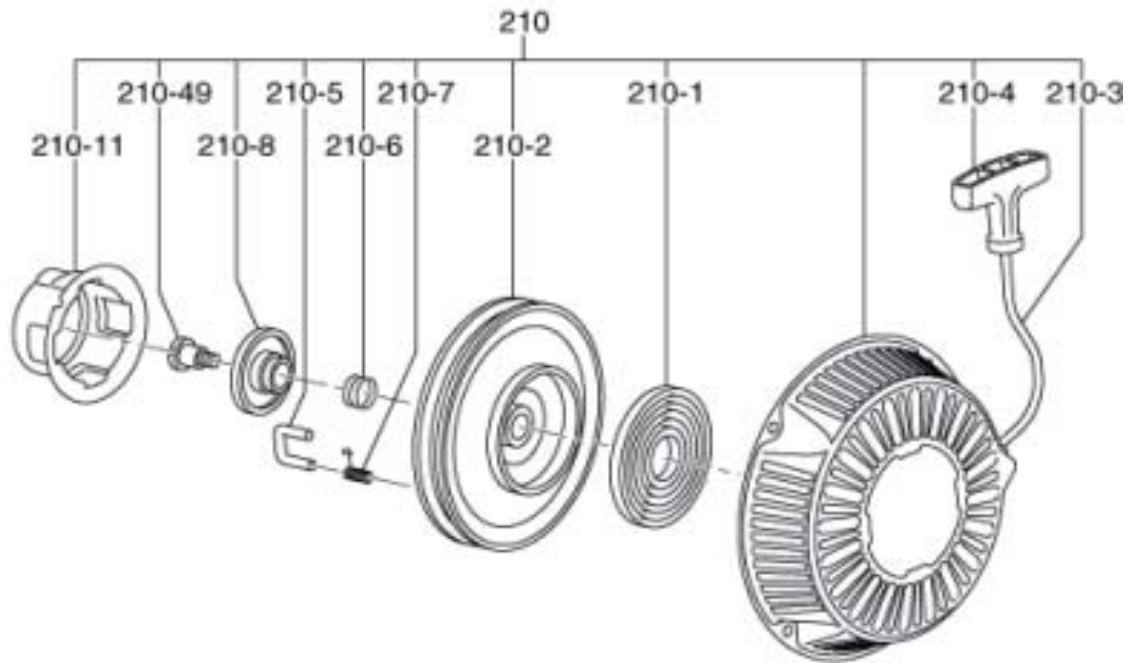
FIG.500





5 COOLING,STARTING GR

FIG.520





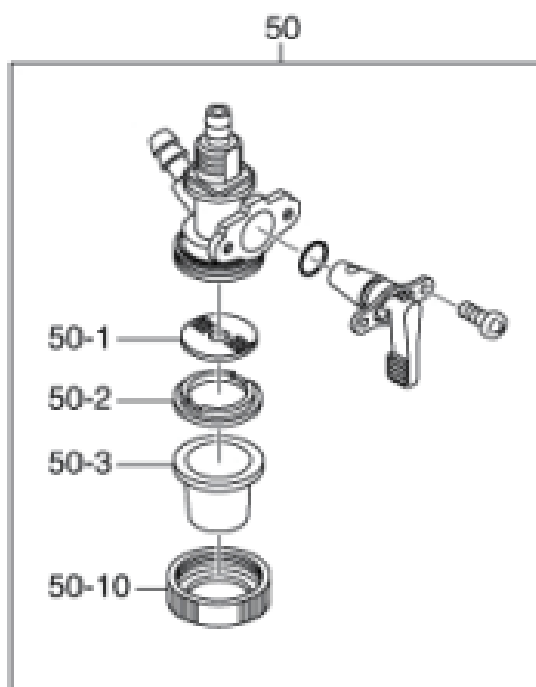






## 6 FUEL LUBRICANT GROUP

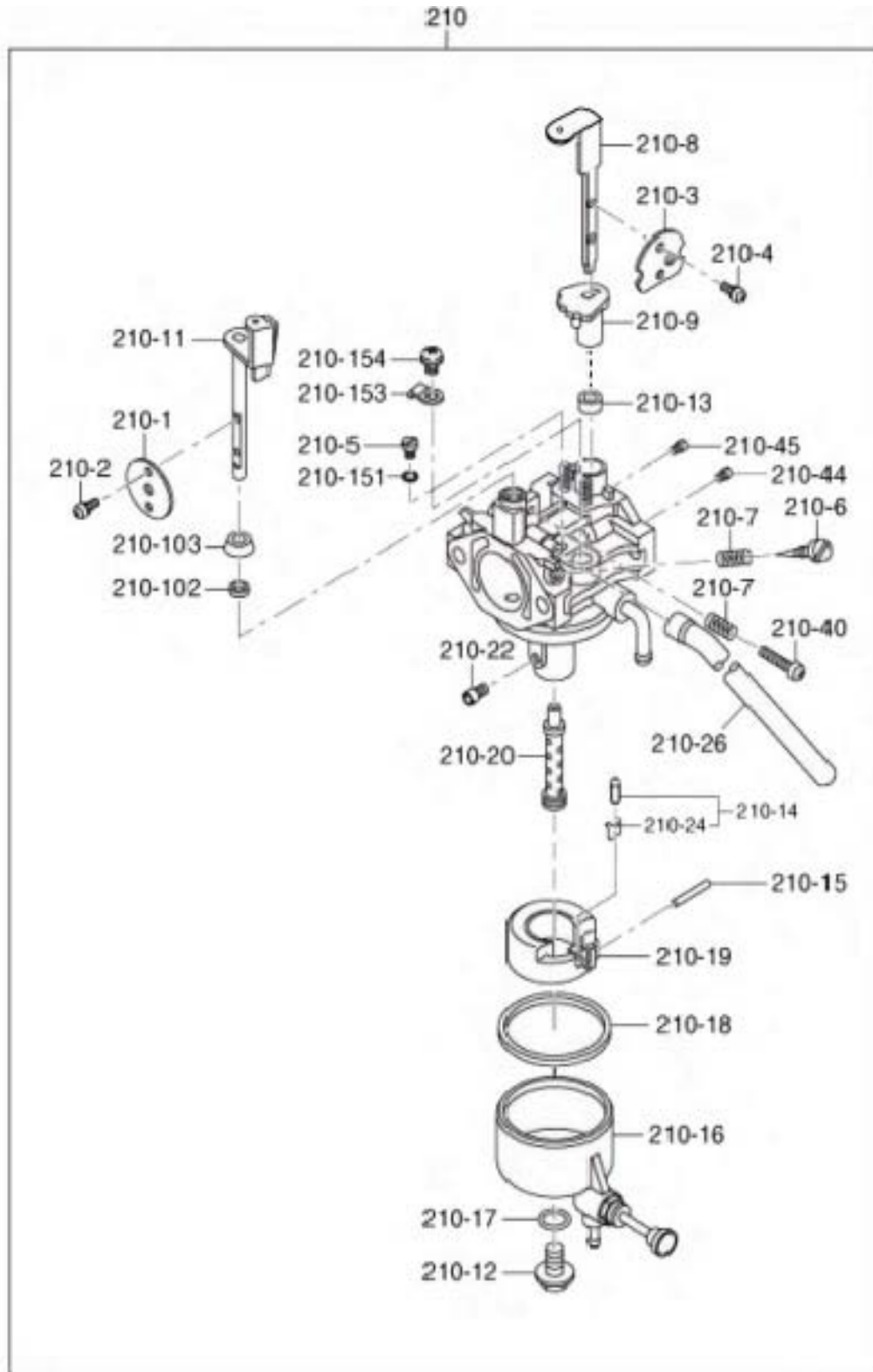
FIG.630





# 6 FUEL LUBRICANT GROUP

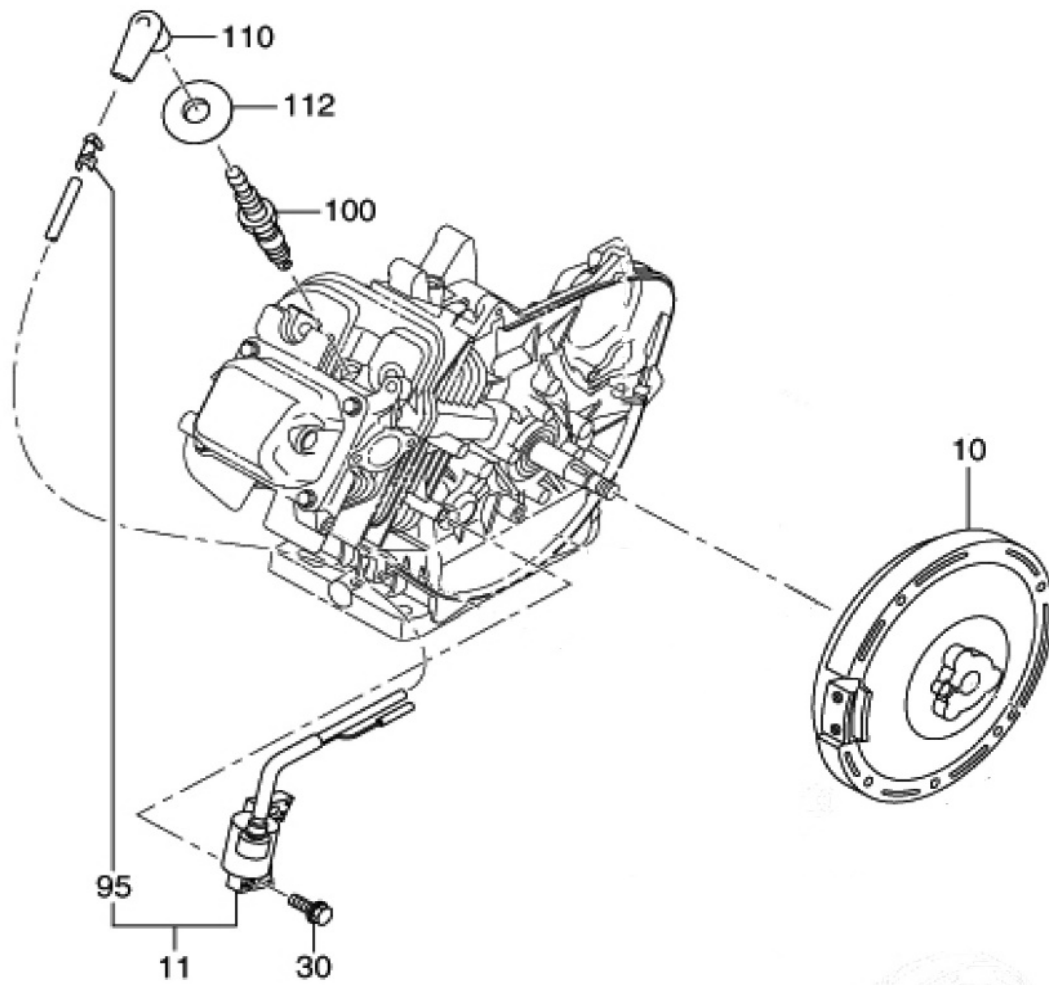
## FIG.640





# 7 ELECTRIC DEVICE GR

## FIG.700

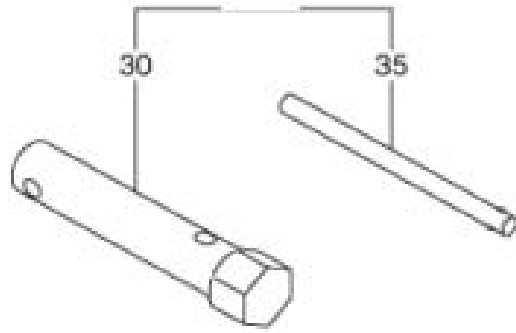






9 ACCESSORIES LABEL GR

FIG.900





10 TANDOKU HASSO BUHIN

FIG.1000

