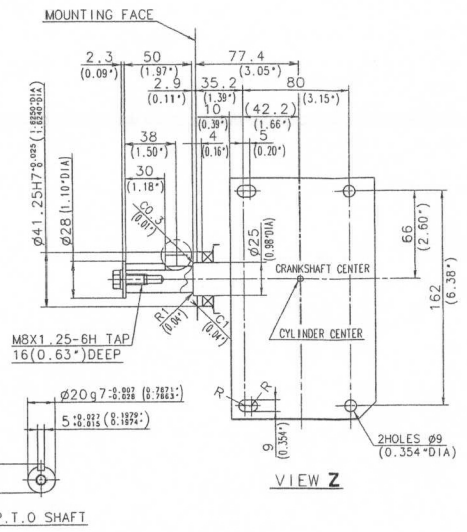
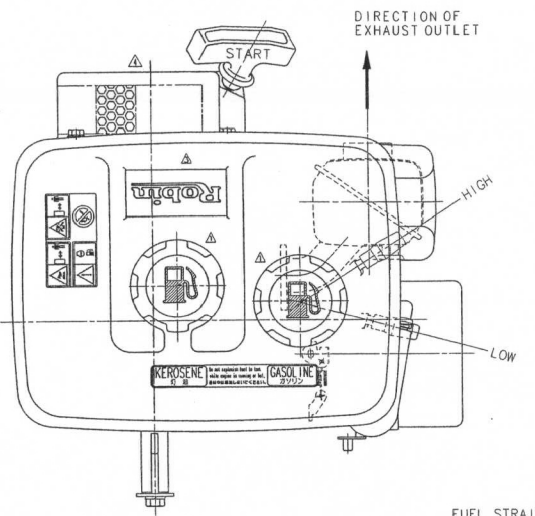


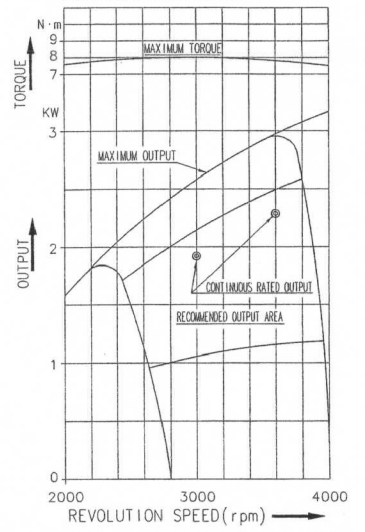
No	REV	REVISION	DATE	CK	No	REV	REVISION	DATE	CK
4		CHANGE OF THE RECOIL & LABEL (1/A)	14.06.25		4		CHANGE OF THE LABELS AND THE FUEL TANK CAPS	09.06.26	
1					1		CHANGE OF THE LABEL (ENGINE NAME)	11.07.05	
1					1		CHANGE OF THE FUEL TANK	13.03.05	



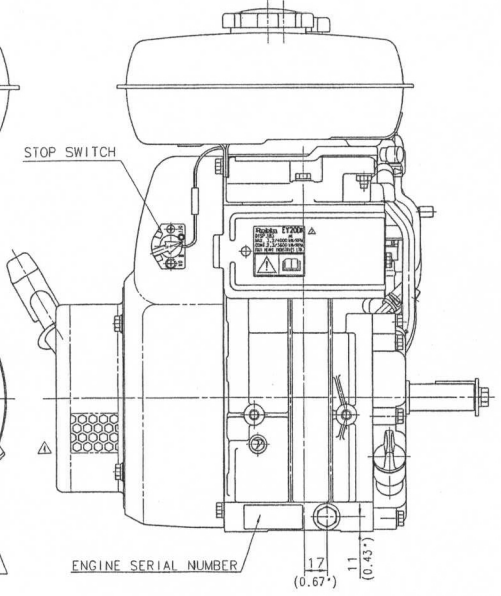
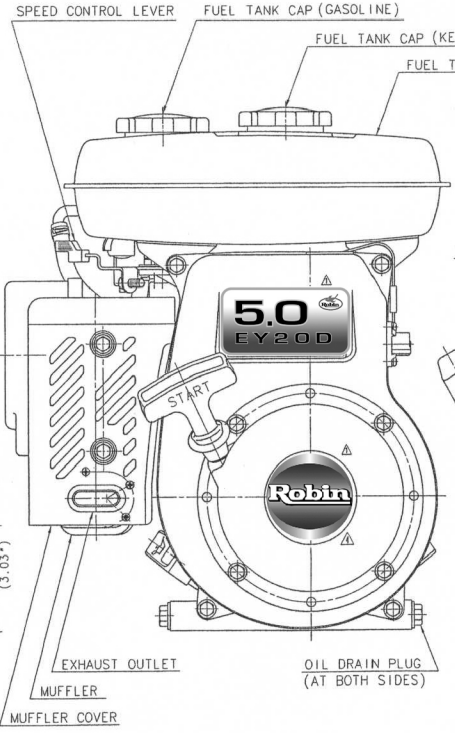
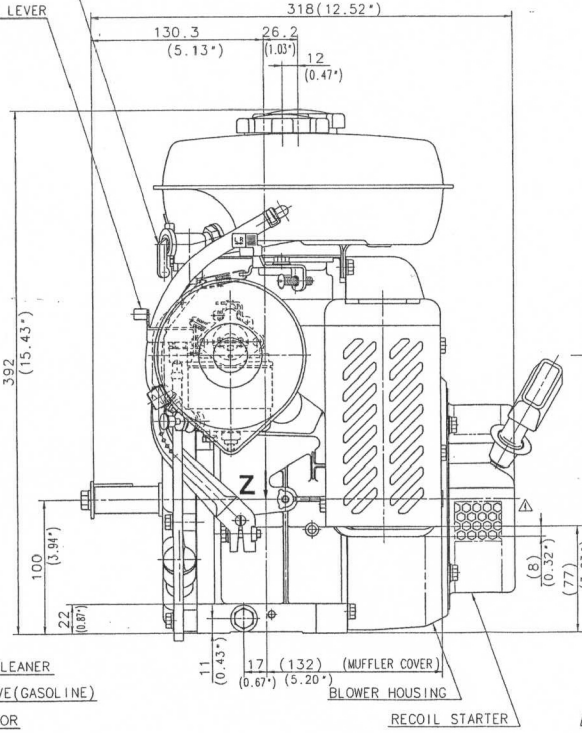
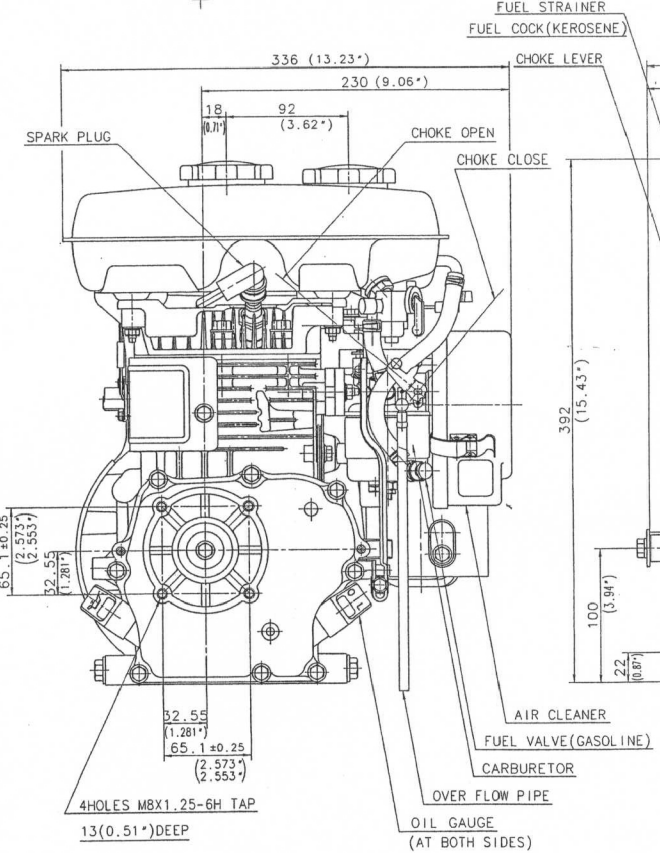
**SPECIFICATIONS**

MODEL	EY20-3DK
TYPE	AIR-COOLED 4 CYCLE 1 CYLINDER HORIZONTAL SHAFT KEROSENE ENGINE
BORE X STROKE	mm (in.) 67x52 (2.64x2.05)
PISTON DISPLACEMENT	ml (cu.in.) 1183 (71.17)
OUTPUT	MAXIMUM 3.2/4000
	KW/rpm (CONTINUOUS) 2.3/3600 1.9/3000
MAXIMUM TORQUE	N·m/rpm 8.0/2800
DIRECTION OF ROTATION	COUNTER CLOCKWISE AS VIEWED FROM THE P.T.O SHAFT SIDE
VALVE ARRANGEMENT	SIDE VALVE TYPE
COOLING SYSTEM	FORCED AIR COOLING
LUBRICATION	SPRASHING TYPE
LUBRICANT	AUTOMOBILE ENGINE OIL SAE#20, #30 OR 10W-30 (API SERVICE CLASS SE OR HIGHER GRADE)
OIL CAPACITY	L APPROX. 0.6
CARBURETOR	HORIZONTAL DRAFT TYPE
FUEL	AUTOMOBILE UNLEADED KEROSENE GASOLINE (STARTING)
FUEL FEED	GRAVITY TYPE
FUEL TANK CAPACITY	L APPROX 0.17 APPROX 3.4
REDUCTION RATIO	
GOVERNOR	CENTRIFUGAL FLYWEIGHT TYPE
METHOD OF IGNITION	FLYWHEEL MAGNETO (SOLID STATE)
SPARK PLUG	NGK BPR4HS
CHARGING CAPACITY	
STARTING SYSTEM	RECOIL STARTER
DRY WEIGHT	Kg 16
LENGTH	mm (in.) 318 (12.52")
WIDTH	mm (in.) 336 (13.23")
HEIGHT	mm (in.) 392 (15.43")
SPEED SET	HIGH 4000±100
	-NO LOAD rpm LOW 1250±100

**PERFORMANCE CURVES**



The horse power ratings shown herein are established in accordance with the society of Automotive Engineers Code-J1349.



THIRD ANGLE PROJECTION		SCALE		1:2	
MODEL FOR FH1 STD	EY20-3DK ENGINE	DRAWN	BY	DATE	
NUMBER	EY203DKC610S	CHECKED			
		APPROVED			