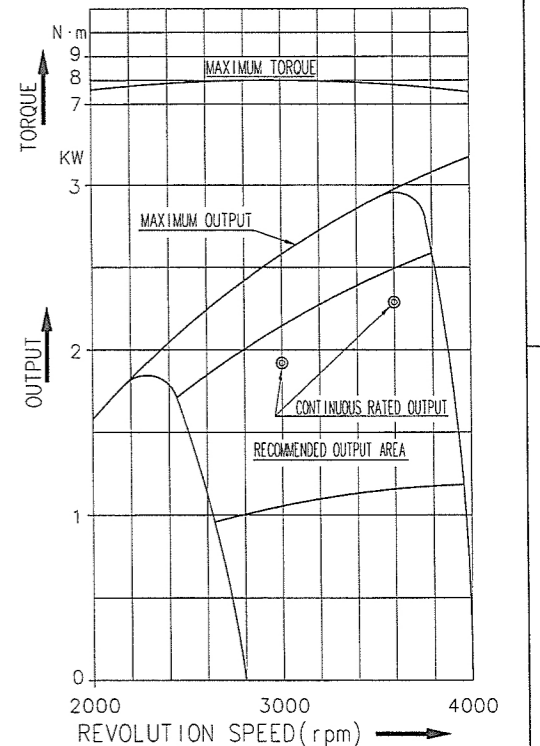


No.	REV.	REVISION	DATE	ICK.
#0686	1	CHANGE OF THE LABEL(ENGINE NAME).	11.07.05	
#0761	2	1 CHANGE OF THE FUEL TANK.	13.03.05	
	3	4 CHANGE OF THE RECOIL & LABEL(T/M).	14.06.25	

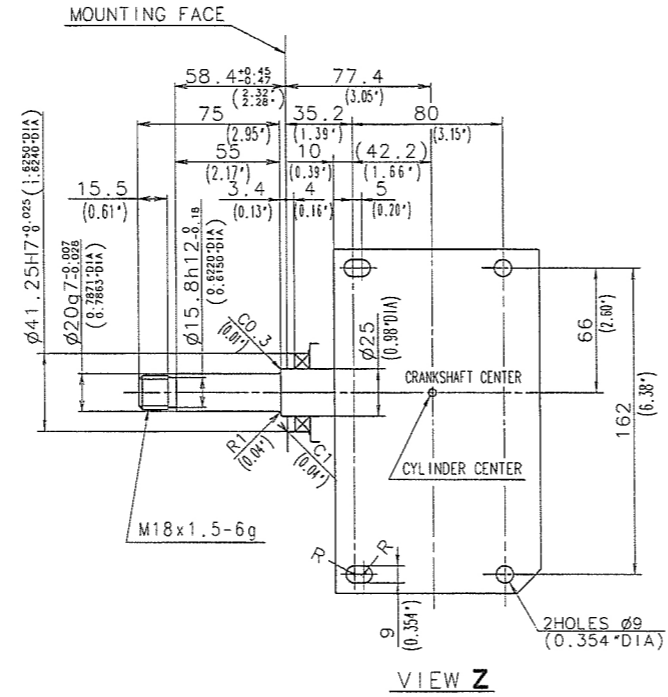
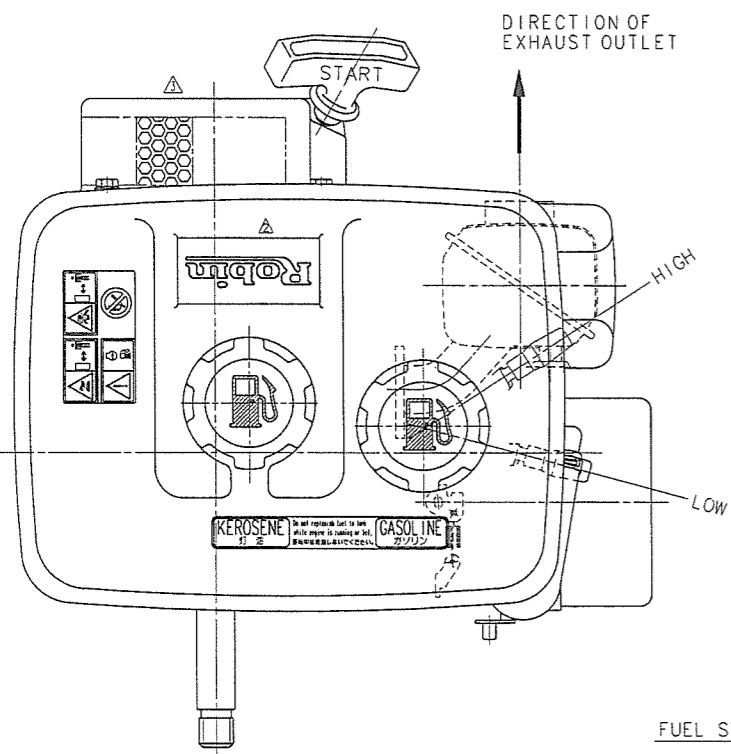
SPECIFICATIONS

MODEL	EY20-3DK
TYPE	AIR-COOLED 4CYCLE 1 CYLINDER HORIZONTAL SHAFT KEROSENE ENGINE
BORE X STROKE	mm[in.] 67X52 [2.64X2.05]
PISTON DISPLACEMENT	mL[cu.in.] 183[11.17]
OUTPUT	MAXIMUM 3.2/4000
MAXIMUM TORQUE	KW/rpm [CONTINUOUS] 2.3/3600 .1.9/3000
DIRECTION OF ROTATION	COUNTER CLOCKWISE AS VIEWED FROM THE P.T.O SHAFT SIDE
VALVE ARRANGEMENT	SIDE VALVE TYPE
COOLING SYSTEM	FORCED AIR COOLING
LUBRICATION	SPRASHING TYPE
LUBRICANT	AUTOMOBILE ENGINE OIL SAE#20, #30 OR 10W-30 (API SERVICE CLASS SE OR HIGHER GRADE)
OIL CAPACITY	L APPROX. 0.6
CARBURETOR	HORIZONTAL DRAFT TYPE
FUEL	AUTOMOBILE UNLEADED KEROSENE GASOLINE(STARTING)
FUEL FEED	GRAVITY TYPE
FUEL TANK CAPACITY	L APPROX 0.17 APPROX 3.4
REDUCTION RATIO	
GOVERNOR	CENTRIFUGAL FLYWEIGHT TYPE
METHOD OF IGNITION	FLYWHEEL MAGNETO (SOLID STATE)
SPARK PLUG	NGK BPR4HS
CHARGING CAPACITY	
STARTING SYSTEM	RECOIL STARTER
DRY WEIGHT	Kg 16
LENGTH	mm[in.] 344[13.54"]
WIDTH	mm[in.] 336[13.23"]
HEIGHT	mm[in.] 392[15.43"]
SPEED SET	HIGH 3950±30
-NO LOAD	rpm LOW 1250±100

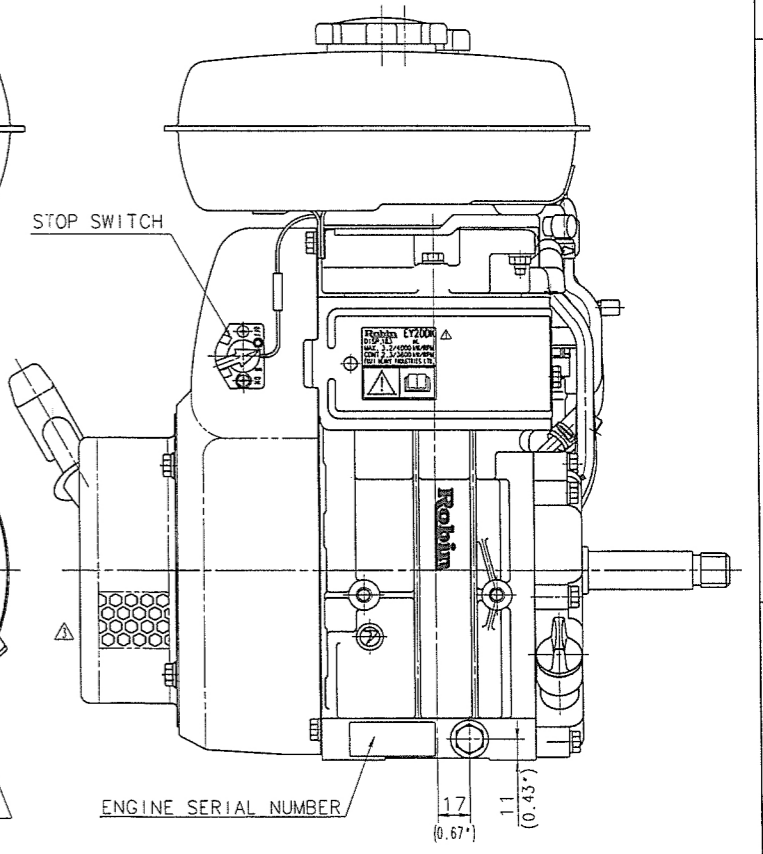
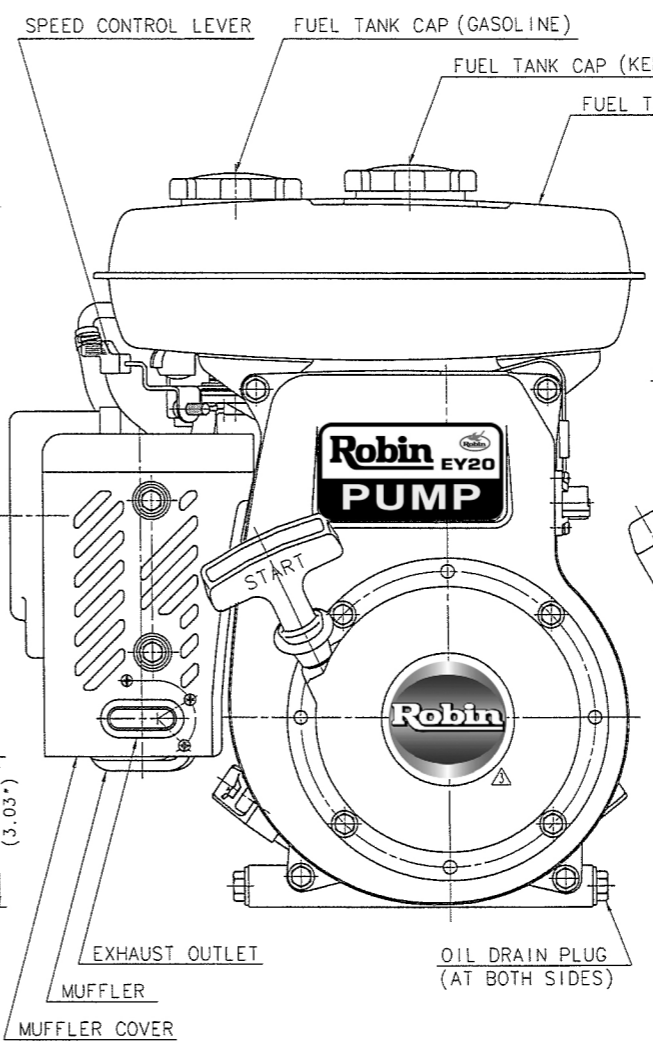
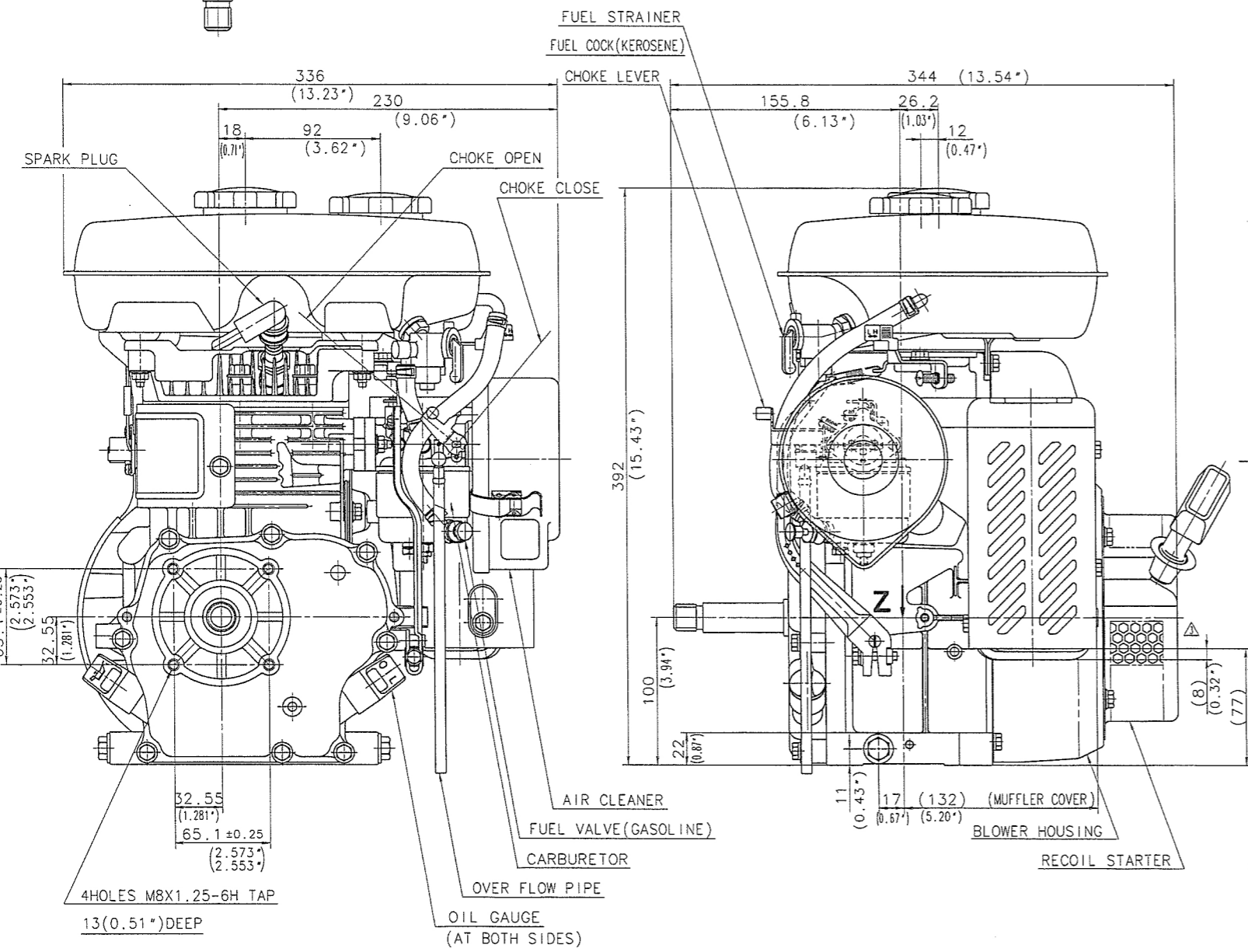
PERFORMANCE CURVES



The horse power ratings shown herein are established in accordance with the society of Automotive Engineers Code-J1349.



VIEW Z



THIRD ANGLE PROJECTION	SCALE	1:2
MODEL FOR F.H.I. PUMP (PTK31)	BY	DATE
EY20-3DK ENGINE	DRAWN	
NUMBER	CHECKED	
EY203DKC630S	APPROVED	