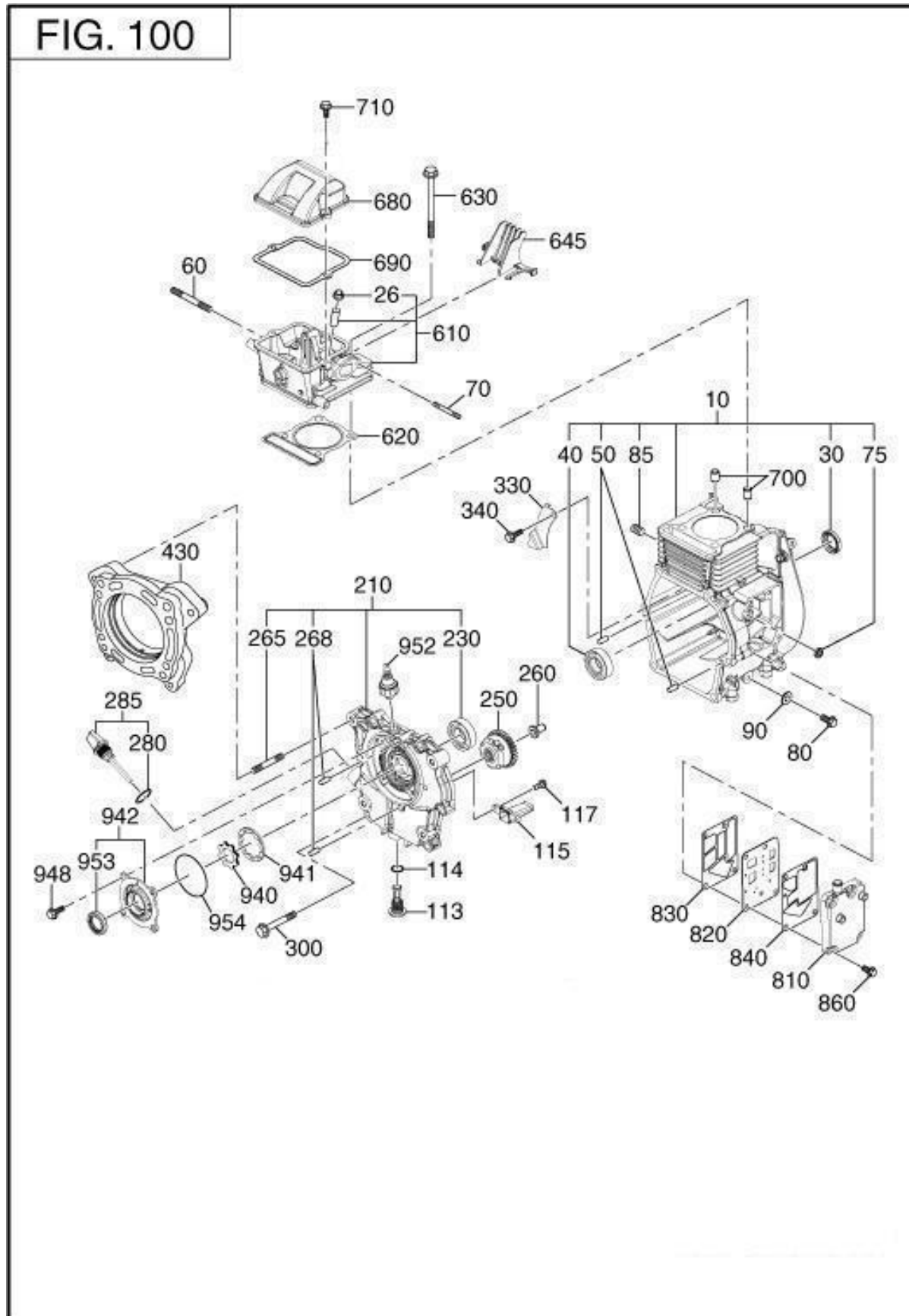


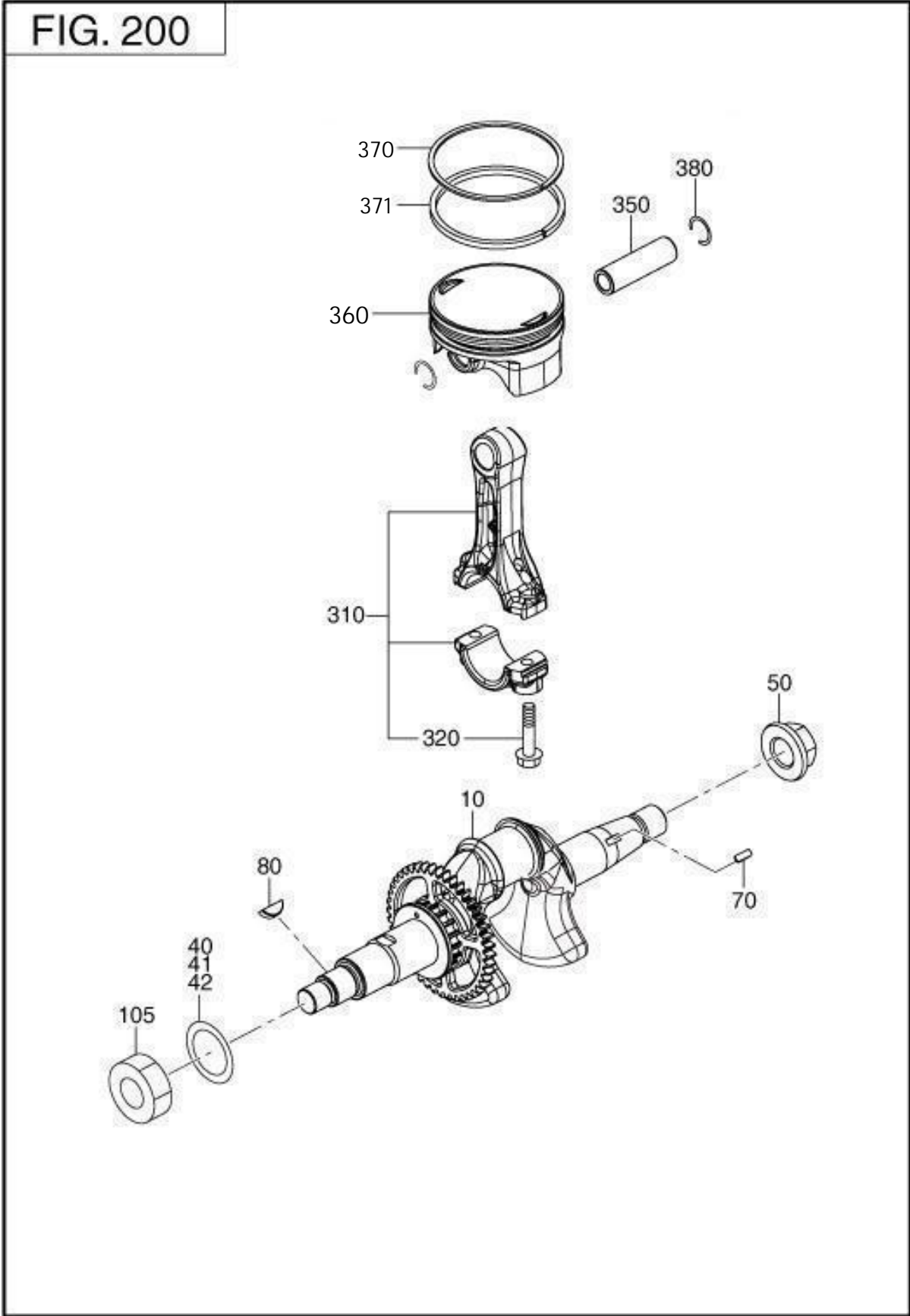
1 CRANKCASE GROUP



| REF. | PART NUMBER | PART NAME | CODE NO. | QTY | REMARKS | INTERCHANGE |
|------|--------------|----------------------|----------|-----|----------------------|-------------|
| 10 | 21E-10101-H1 | CRANKCASE CP | - | 1 | | |
| 26 | 20F-16010-01 | STEM SEAL | - | 1 | | |
| 30 | 044-02000-70 | OIL SEAL | - | 1 | 20DX32DX6B | |
| 40 | X60-02002-00 | BALL BEARING | - | 1 | 20DX42DX12B | |
| 50 | 20F-00600-23 | DOWEL PIN | - | 2 | 6DX14. 8L | |
| 60 | X10-50805-50 | STUD | - | 2 | M8X64. 5L | |
| 70 | X10-50602-81 | STUD | - | 2 | M6X1. 0X94L | |
| 75 | X44-00800-10 | OIL SEAL | - | 1 | 8DX14DX4B | |
| 80 | X11-00801-50 | FLANGE BOLT | - | 1 | M8X1. 25X16DX12L | |
| 85 | X40-31400-10 | PLUG | - | 1 | | |
| 90 | X21-10800-50 | GASKET(ALUMINIUM) | - | 1 | T=3 8. 3DX14D | |
| 113 | 21E-65001-H2 | PLUG UN | - | 1 | | |
| 114 | X24-01100-20 | O-RING | - | 1 | | |
| 115 | 21E-64201-H3 | SUCTION PIPE | - | 1 | | |
| 117 | X11-00500-30 | FLANGE BOLT | - | 2 | M5X0. 8, L=12 | |
| 210 | 21E-11001-H1 | MAINBEARING COVER CP | - | 1 | | |
| 230 | X60-02200-30 | BALL BEARING | - | 1 | 22DX44DX12B | |
| 250 | 21E-45001-H1 | GOVERNOR GEAR CP | - | 1 | | |
| 260 | 21E-41901-H3 | GOVERNOR SLEEVE | - | 1 | | |
| 265 | 20F-39085-H0 | STUD | - | 4 | | |
| 268 | X31-00600-50 | DOWEL PIN | - | 2 | 6DX14. 8L | |
| 280 | X21-31600-30 | GASKET | - | 1 | 16DX23DX1. 2T RUBBER | |
| 285 | 21E-63601-H1 | OIL GAUGE CP | - | 1 | | |
| 300 | X11-00801-60 | FLANGE BOLT | - | 6 | M8X1. 25X16DX55L | |
| 430 | 21E-13401-H3 | ADAPTER(FLANGE) | - | 1 | | |
| | 21E-13402-H3 | ADAPTER(FLANGE) | - | 1 | | |
| 610 | 21E-13002-H0 | CYLINDER HEAD AY | - | 1 | | |
| 620 | 21E-15001-H3 | GASKET(HEAD) | - | 1 | | |
| 630 | X11-00804-60 | FLANGE BOLT | - | 4 | M8X98L | |
| 645 | 21E-18001-H3 | GUIDE(S.PLUG) | - | 1 | | |

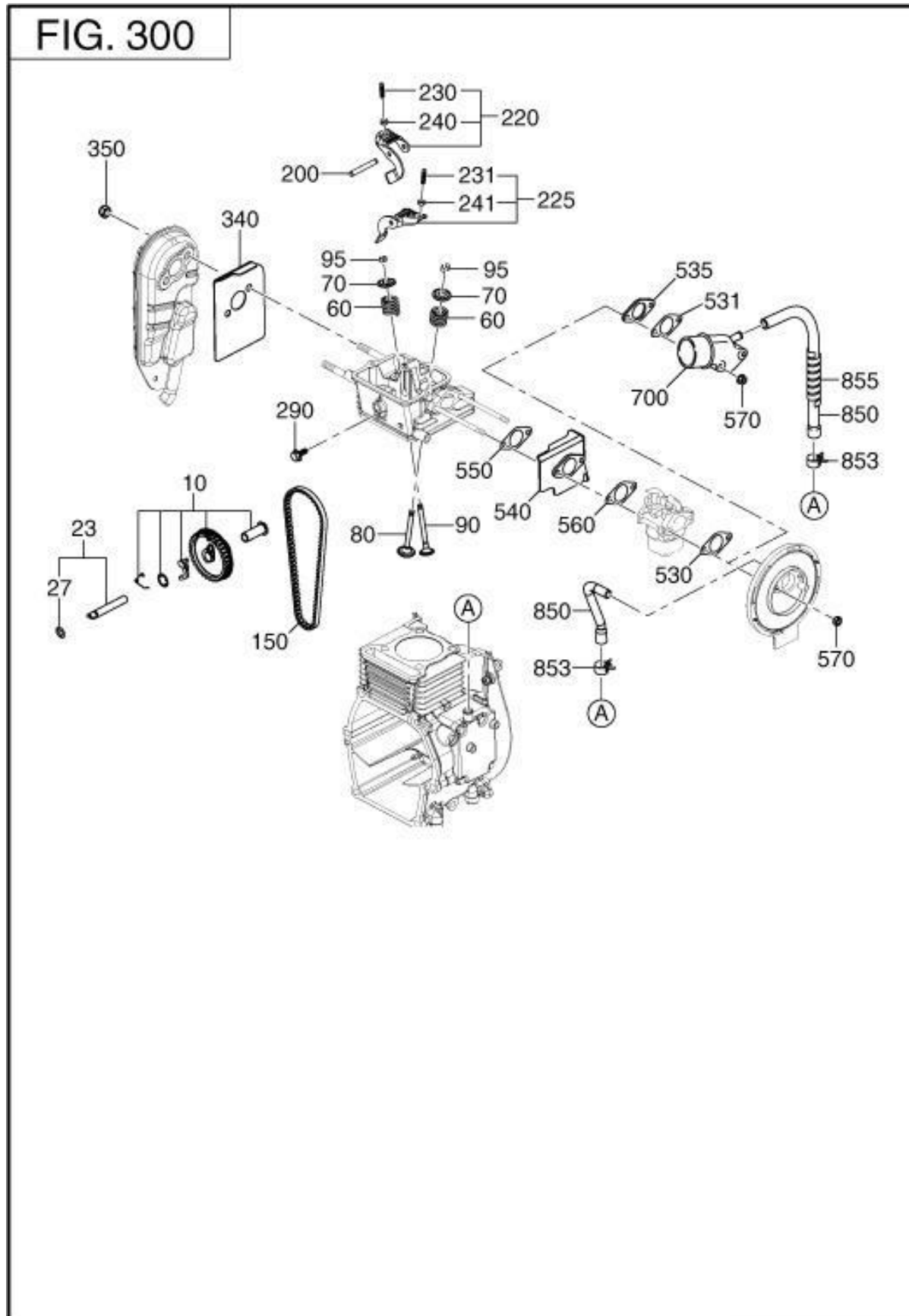
| REF. | PART NUMBER | PART NAME | CODE NO. | QTY | REMARKS | INTERCHANGE |
|------|--------------|---------------------|----------|-----|------------|-------------|
| 680 | 21E-15501-H3 | ROCKER COVER | - | 1 | | |
| 690 | 21E-16001-H1 | GASKET CP(R.COVER) | - | 1 | T=1.0 | |
| 700 | 20F-15011-03 | PIPE KNOCK | - | 2 | | |
| 710 | X11-00606-10 | FLANGE BOLT | - | 2 | M6X1.0X20L | |
| 810 | 21E-14301-H3 | BREATHER COVER | - | 1 | | |
| 820 | 21E-14401-J1 | BREATHER PLATE CP | - | 1 | | |
| 830 | 21E-16002-J3 | GASKET(B.PLATE) | - | 1 | T=0.5 | |
| 840 | 21E-16003-H0 | GASKET(B.COVER) | - | 1 | T=0.5 | |
| 860 | X11-00606-10 | FLANGE BOLT | - | 4 | M6X1.0X20L | |
| 940 | 21E-63901-H3 | INNER ROTOR | - | 1 | | |
| 941 | 21E-63902-H3 | OUTER ROTOR | - | 1 | | |
| 942 | 21E-64001-H1 | OILPUMP COVER CP | - | 1 | | |
| 948 | X11-00604-40 | FLANGE BOLT | - | 4 | | |
| 952 | 21E-76301-H1 | SWITCH OIL PRESSURE | - | 1 | | |
| 953 | 044-02000-70 | OIL SEAL | - | 1 | 20DX32DX6B | |
| 954 | X24-05900-20 | O-RING | - | 1 | | |

2 CRANKSHAFT,PISTON GR



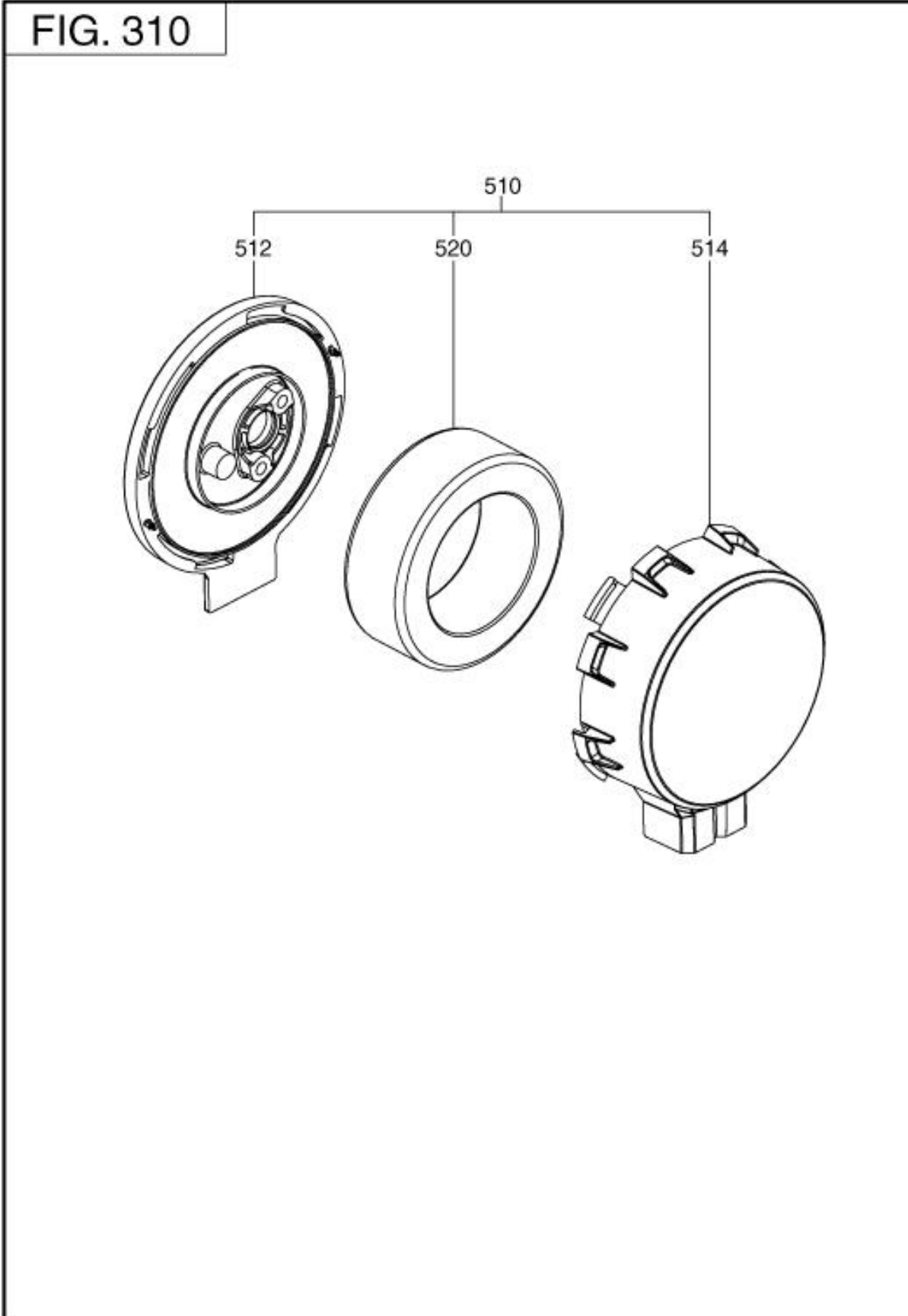
| REF. | PART NUMBER | PART NAME | CODE NO. | QTY | REMARKS | INTERCHANGE |
|------|--------------|---------------------|----------|-----|-----------------|-------------|
| 10 | 21E-20201-H1 | CRANKSHAFT CP | - | 1 | | |
| 40 | X23-02201-00 | SPACER | - | 1 | T=0.8 | |
| 41 | X23-02201-10 | SPACER | - | 1 | T=1.0 | |
| 42 | X23-02201-20 | SPACER | - | 1 | T=1.2 | |
| 50 | X18-01400-20 | FLANGE NUT | - | 1 | M14X1.5X28DX12H | |
| 70 | 005-32031-01 | WOODRUFF KEY | - | 1 | | |
| 80 | 005-32042-01 | WOODRUFF KEY | - | 1 | | |
| 105 | 017-31200-10 | LOCK NUT | - | 1 | 12DX6HX17B | |
| 310 | 21E-22501-K0 | CONNECTING ROD AY | - | 1 | | |
| 320 | 20F-23001-03 | CONNECTING ROD BOLT | - | 2 | M5X0.8X25.0L | |
| 350 | 21E-23301-H3 | PISTON PIN | - | 1 | | |
| 360 | 21E-23401-H3 | PISTON | - | 1 | STD | |
| 370 | 21E-23601-H3 | TOP RING | - | 1 | | |
| 371 | 21E-23911-H3 | OIL RING | - | 1 | | |
| 380 | 21E-25001-H3 | CLIP | - | 2 | | |

3 INTAKE EXHAUST GROUP



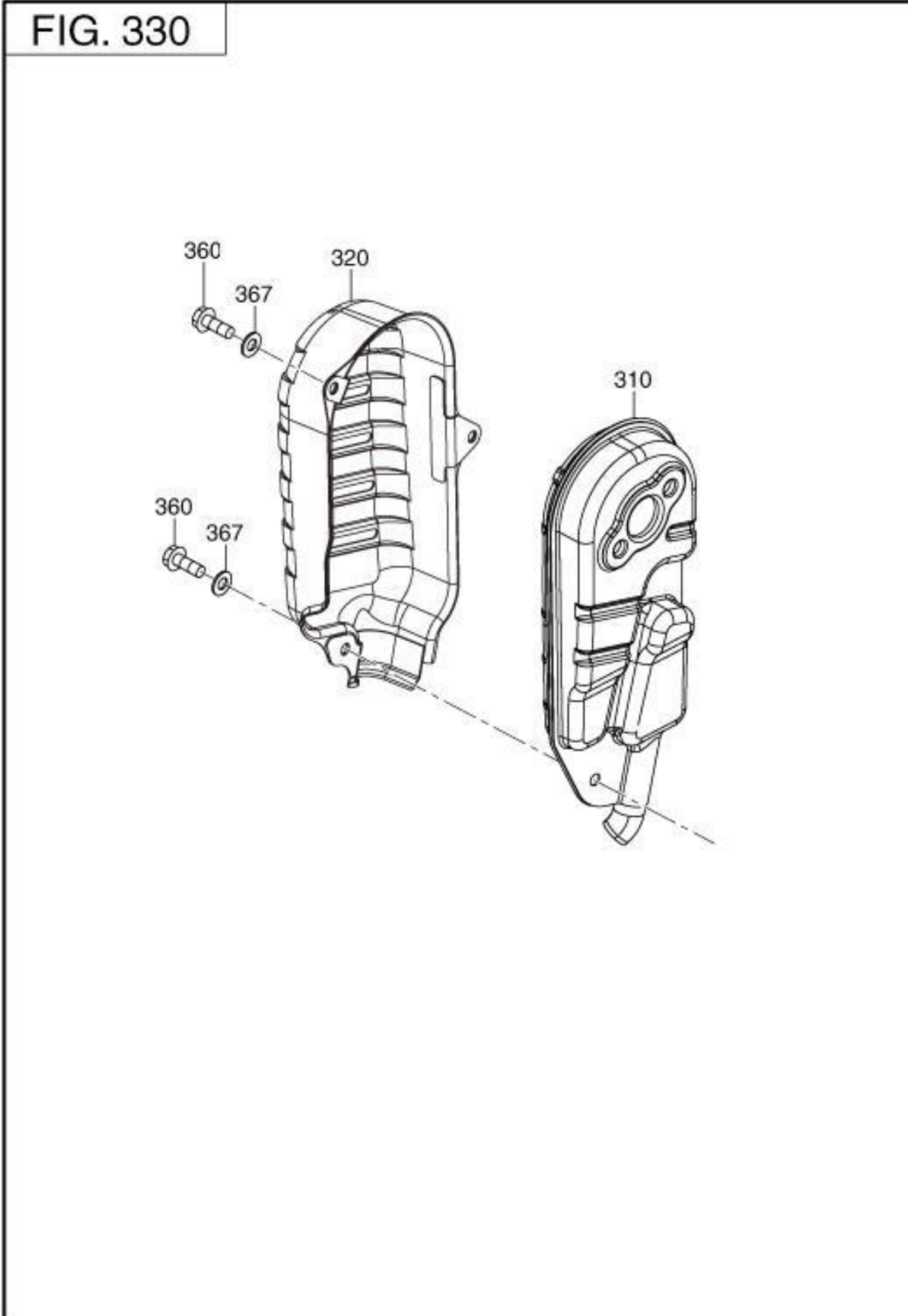
| REF. | PART NUMBER | PART NAME | CODE NO. | QTY | REMARKS | INTERCHANGE |
|------|--------------|-------------------|-----------|-----|---------------------|-------------|
| 10 | 21E-31601-H1 | CAM PULLEY CP | 9223-9345 | 1 | | |
| 23 | 21E-35101-H1 | PIN(CAM PULLEY)CP | 9010- | 1 | | |
| 27 | X24-00600-30 | O RING | 9010- | 1 | 5. 8DX9. 6D | |
| 60 | 279-33601-03 | VALVE SPRING | - | 2 | 19. 2DX2. 3DX27. 4L | |
| 70 | 269-33701-03 | SPRING RETAINER | - | 2 | | |
| 80 | 276-33401-H3 | INTAKE VALVE | - | 1 | 22DX5. 5DX68L | |
| 90 | 276-33501-H3 | EXHAUST VALVE | - | 1 | 18. 5DX5. 5DX68L | |
| 95 | 20F-10KA0-31 | COLLET-VALVE | - | 4 | | |
| 150 | 21E-35601-03 | TIMMING BELT | - | 1 | | |
| 200 | 277-35004-03 | PIN(ROCKER) | - | 1 | | |
| 220 | 21E-36101-J0 | ROCKER ARM IN AY | - | 1 | | |
| 225 | 21E-36102-J0 | ROCKER ARM EX AY | - | 1 | | |
| 230 | 20A-01401-00 | ADJUST SCREW | - | 1 | M5X0. 5X23L | |
| 231 | 20A-01401-00 | ADJUST SCREW | - | 1 | M5X0. 5X23L | |
| 240 | 20A-01801-00 | NUT | - | 1 | M5X0. 5X4. 1H | |
| 241 | 20A-01801-00 | NUT | - | 1 | M5X0. 5X4. 1H | |
| 290 | 20F-00600-10 | FLANGE BOLT | - | 1 | M6X1. 0X8L | |
| 340 | 21E-35201-H3 | GASKET(MUFFLER) | - | 1 | T=1. 2 | |
| 350 | X17-60800-20 | SELF LOCK NUT | - | 2 | M8X1. 25X13H | |

3 INTAKE EXHAUST GROUP



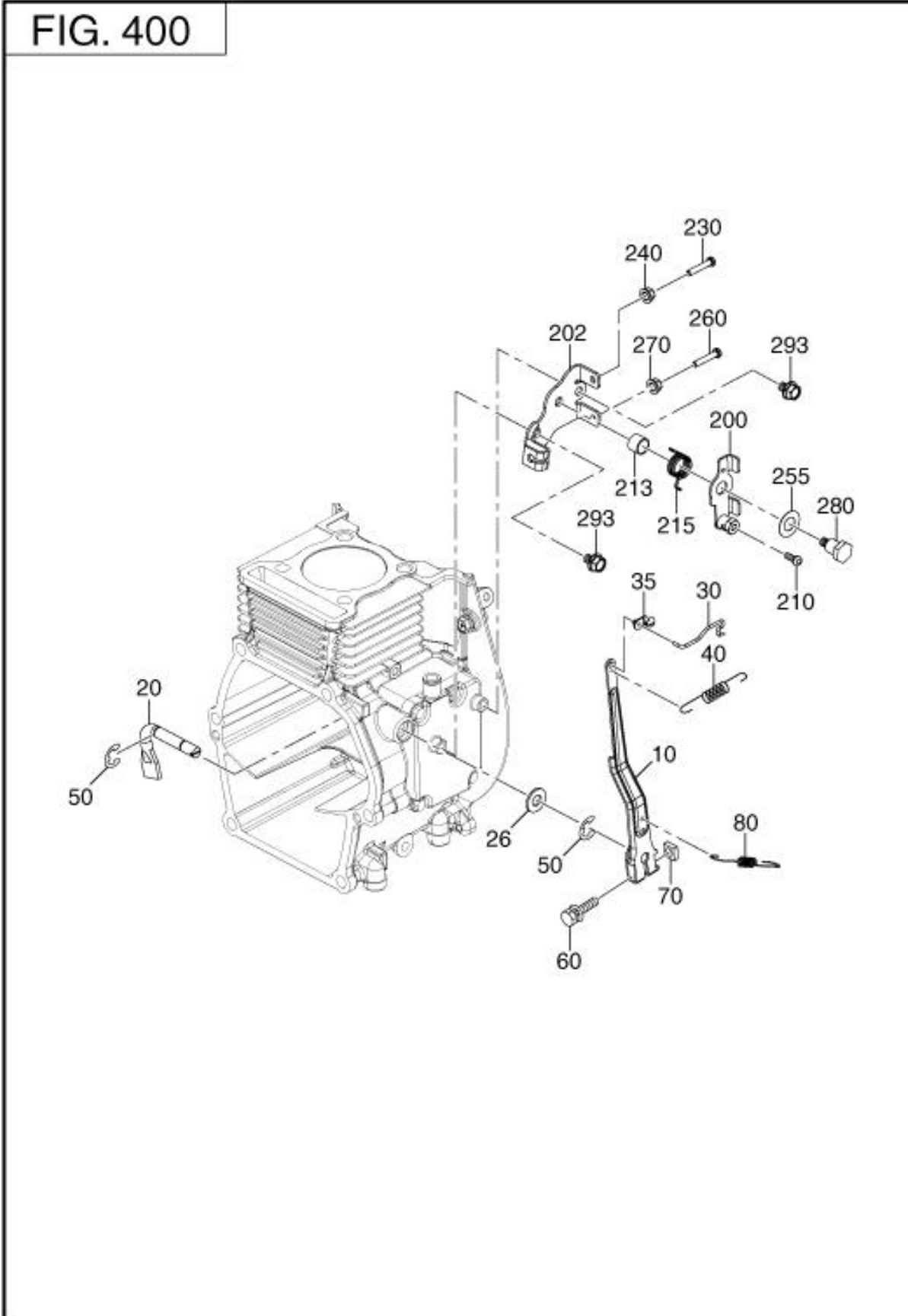
| REF. | PART NUMBER | PART NAME | CODE NO. | QTY | REMARKS | INTERCHANGE |
|------|--------------|----------------|----------|-----|---------|-------------|
| 510 | 21E-32604-H0 | AIR CLEANER AY | - | 1 | | |
| 512 | 21E-32604-H3 | AIR CLEANER 1 | - | 1 | | |
| 514 | 21E-32605-H3 | AIR CLEANER 2 | - | 1 | | |
| 520 | 21E-32603-H1 | ELEMENT CP | - | 1 | | |

3 INTAKE EXHAUST GROUP



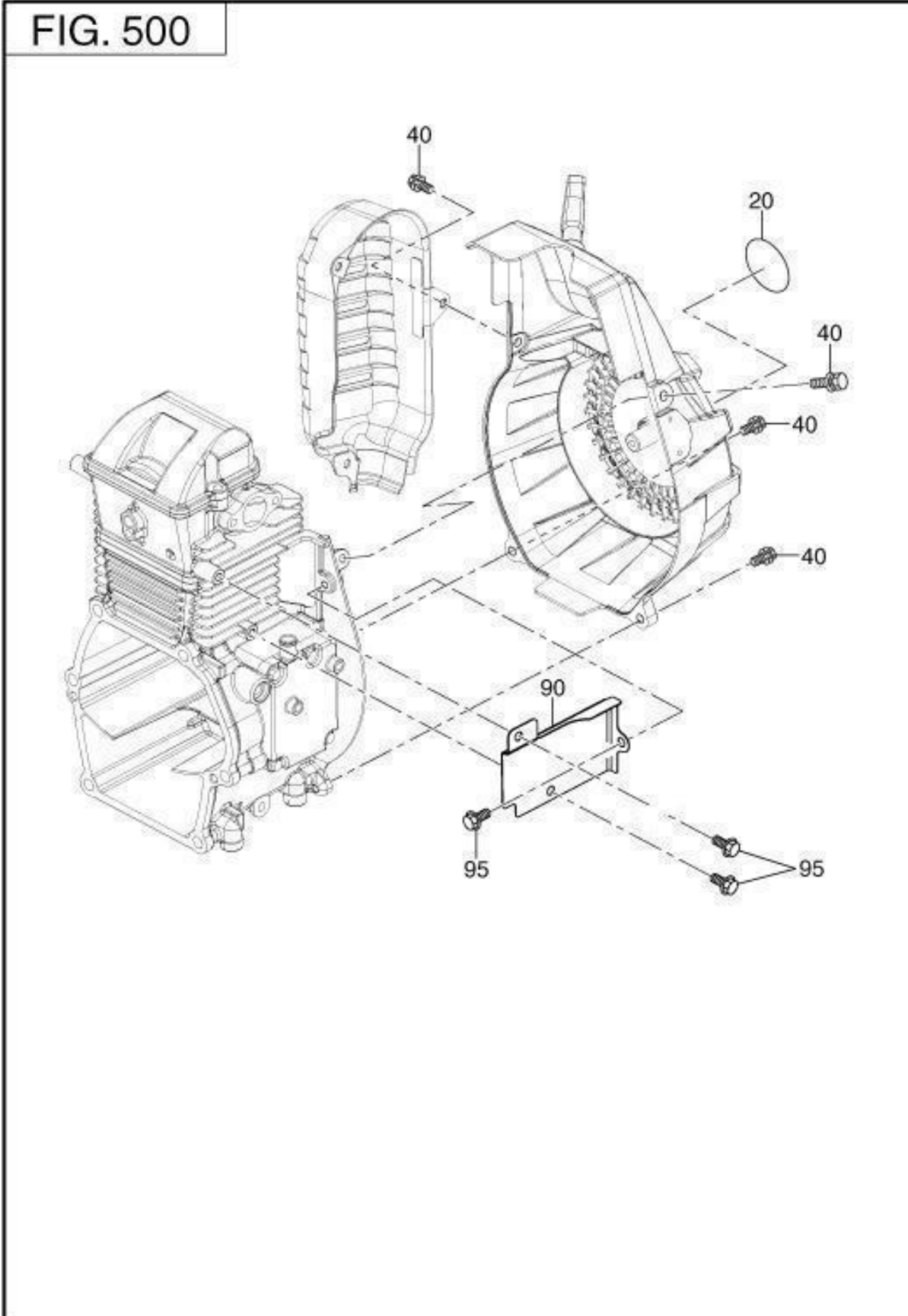
| REF. | PART NUMBER | PART NAME | CODE NO. | QTY | REMARKS | INTERCHANGE |
|------|--------------|--------------------|----------|-----|-------------|-------------|
| 310 | 21E-30101-K2 | MUFFLER UN | - | 1 | | |
| 320 | 21E-34201-M2 | MUFFLER COVER UN | - | 1 | | |
| 360 | X13-00603-30 | BOLT AND WASHER AY | - | 2 | M6X1. 0X18L | |
| 367 | 020-00601-20 | WASHER | - | 2 | | |

4 GOVERNOR, OPERATION G



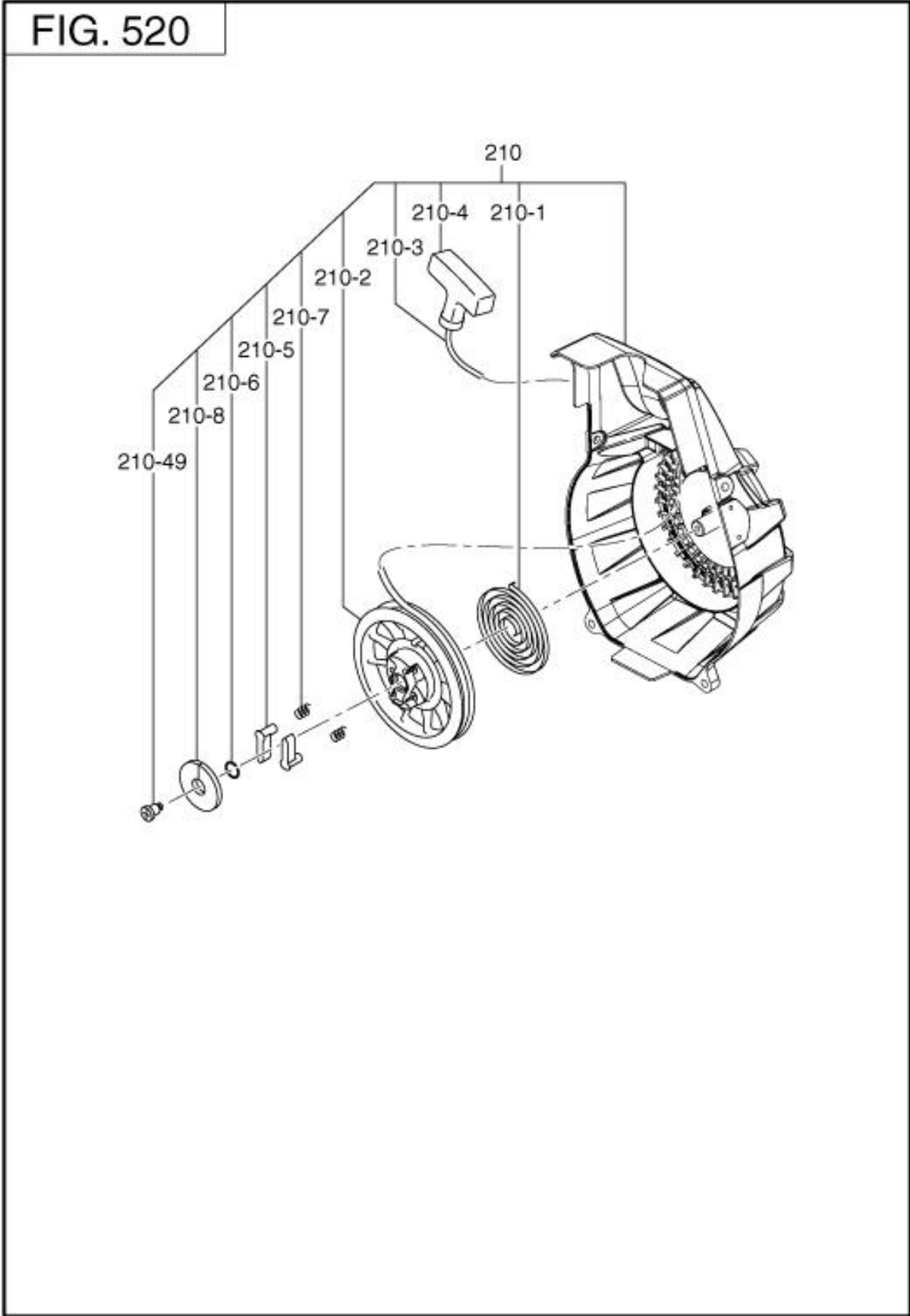
| REF. | PART NUMBER | PART NAME | CODE NO. | QTY | REMARKS | INTERCHANGE |
|------|--------------|---------------------|----------|-----|------------------------|-------------|
| 10 | 21E-42301-H3 | GOVERNOR LEVER | - | 1 | | |
| 20 | 21E-42201-H3 | GOVERNOR SHAFT | - | 1 | | |
| 26 | 20F-11080-00 | WASHER | - | 1 | | |
| 30 | 21E-42701-H1 | GOVERNOR ROD CP | - | 1 | | |
| 35 | 284-45601-H3 | LINKAGE BUSHING | - | 1 | | |
| 40 | 21E-42801-H3 | ROD SPRING | - | 1 | | |
| 50 | X03-13060-00 | CLIP | - | 2 | 6DX12DX0. 8T | |
| 60 | 20F-14063-00 | BOLT AND WASHER AY | - | 1 | | |
| 70 | 018-60600-20 | NUT | - | 1 | M6X1. 0X4. 9H SQUARE | |
| 80 | 21E-42501-H3 | GOVERNOR SPRING | - | 1 | | |
| 200 | 21E-43301-J0 | SPEED CONT.LEVER AY | - | 1 | | |
| 202 | 21E-46001-J1 | BASE PLATE CP | - | 1 | | |
| 210 | 004-31041-40 | SCREW,PANHEAD | - | 1 | M4X0. 7X14L | |
| 213 | 023-01000-40 | SPACER | - | 1 | 10. 2DX12. 2DX9T | |
| 215 | 226-45003-13 | RETURN SPRING | - | 1 | 15. 5DX1. 6DX9L N=4. 5 | |
| 230 | X14-00501-10 | SCREW | - | 1 | M5X0. 8X27L | |
| 240 | X17-00500-40 | NUT | - | 1 | M5X0. 8X4H | |
| 255 | X21-71000-20 | FRICTION WASHER | - | 1 | 10. 5DX20DX0. 4T NYLON | |
| 260 | X14-00501-10 | SCREW | - | 1 | M5X0. 8X27L | |
| 270 | X17-00500-40 | NUT | - | 1 | M5X0. 8X4H | |
| 280 | 226-43103-01 | LINK PIVOT CP | - | 1 | | |
| 293 | 20F-00600-10 | FLANGE BOLT | - | 2 | M6X1. 0X8L | |

5 COOLING,STARTING GRP



| REF. | PART NUMBER | PART NAME | CODE NO. | QTY | REMARKS | INTERCHANGE |
|------|--------------|--------------------|----------|-----|-------------|-------------|
| 20 | 21E-95101-H3 | LABEL(MODEL) | - | 1 | | |
| 40 | X13-00603-40 | BOLT AND WASHER AY | - | 4 | M6X1. 0X18L | |
| 90 | 21E-52601-H3 | CYLINDER BAFFLE | - | 1 | | |
| 95 | 20F-00600-10 | FLANGE BOLT | - | 3 | M6X1. 0X8L | |
| | | | | | | |

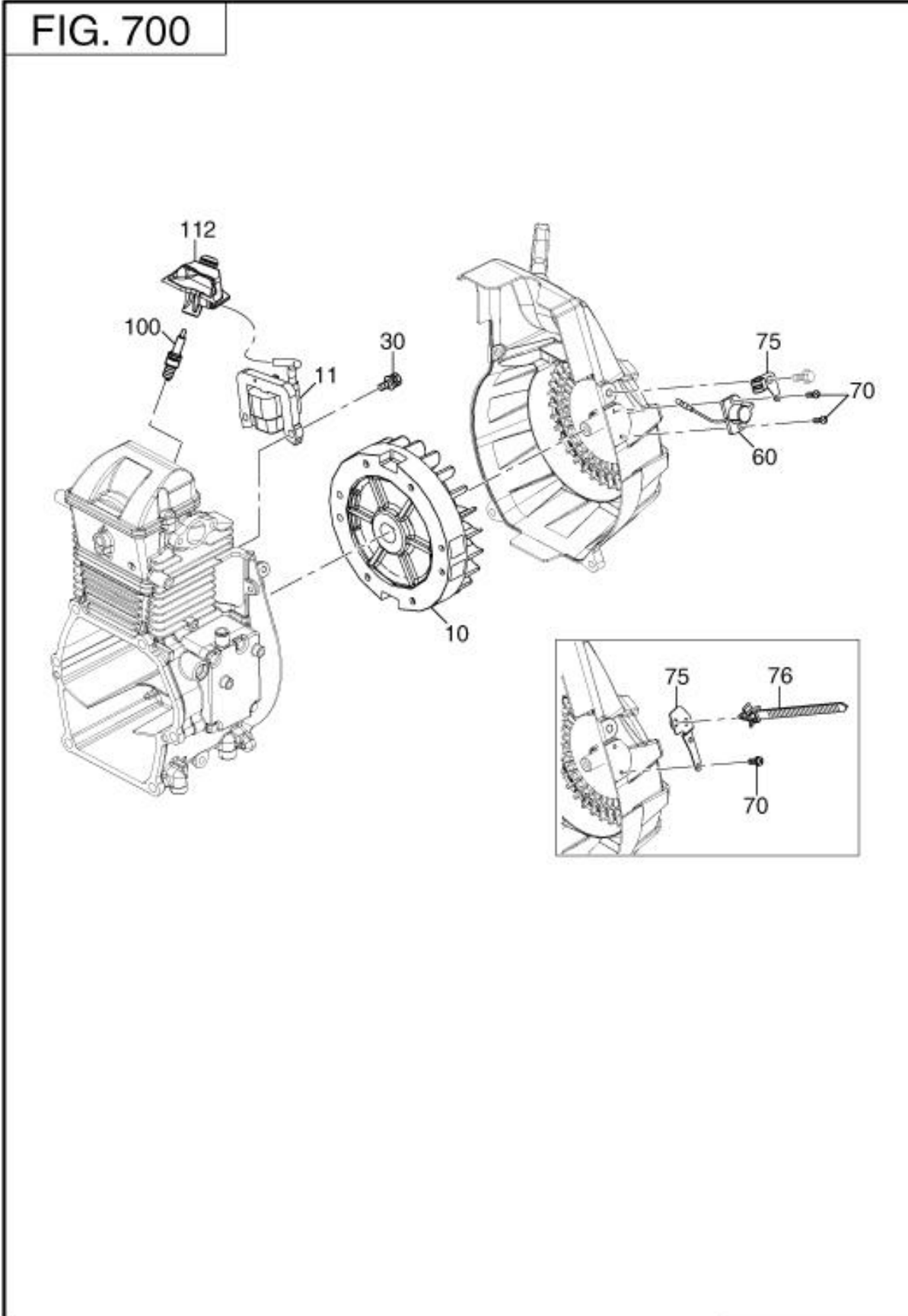
5 COOLING,STARTING GRP



| REF. | PART NUMBER | PART NAME | CODE NO. | QTY | REMARKS | INTERCHANGE |
|------|--------------|-------------------|----------|-----|---------|-------------|
| 210 | 21E-50201-H0 | RECOIL STARTER AY | -9009 | 1 | | |
| - 1 | 20F-50115-08 | SPIRAL SPRING | 9071- | 1 | | |
| - 2 | 21E-50220-18 | REEL | 9154- | 1 | | |
| - 3 | 21E-50110-08 | STARTER ROPE | 9071- | 1 | | |
| - 4 | 20F-50100-18 | STARTER KNOB | 9071- | 1 | | |
| - 5 | 20F-50225-08 | RATCHET | 9071- | 2 | | |
| - 6 | 274-50131-08 | FRICITION SPRING | 9071- | 1 | | |
| - 7 | 227-50135-08 | RETURN SPRING | 9071- | 2 | | |
| - 8 | 21E-50260-08 | RATCHET GUIDE | 9071- | 1 | | |
| - 49 | 20B-50101-08 | SET SCREW | 9071- | 1 | | |

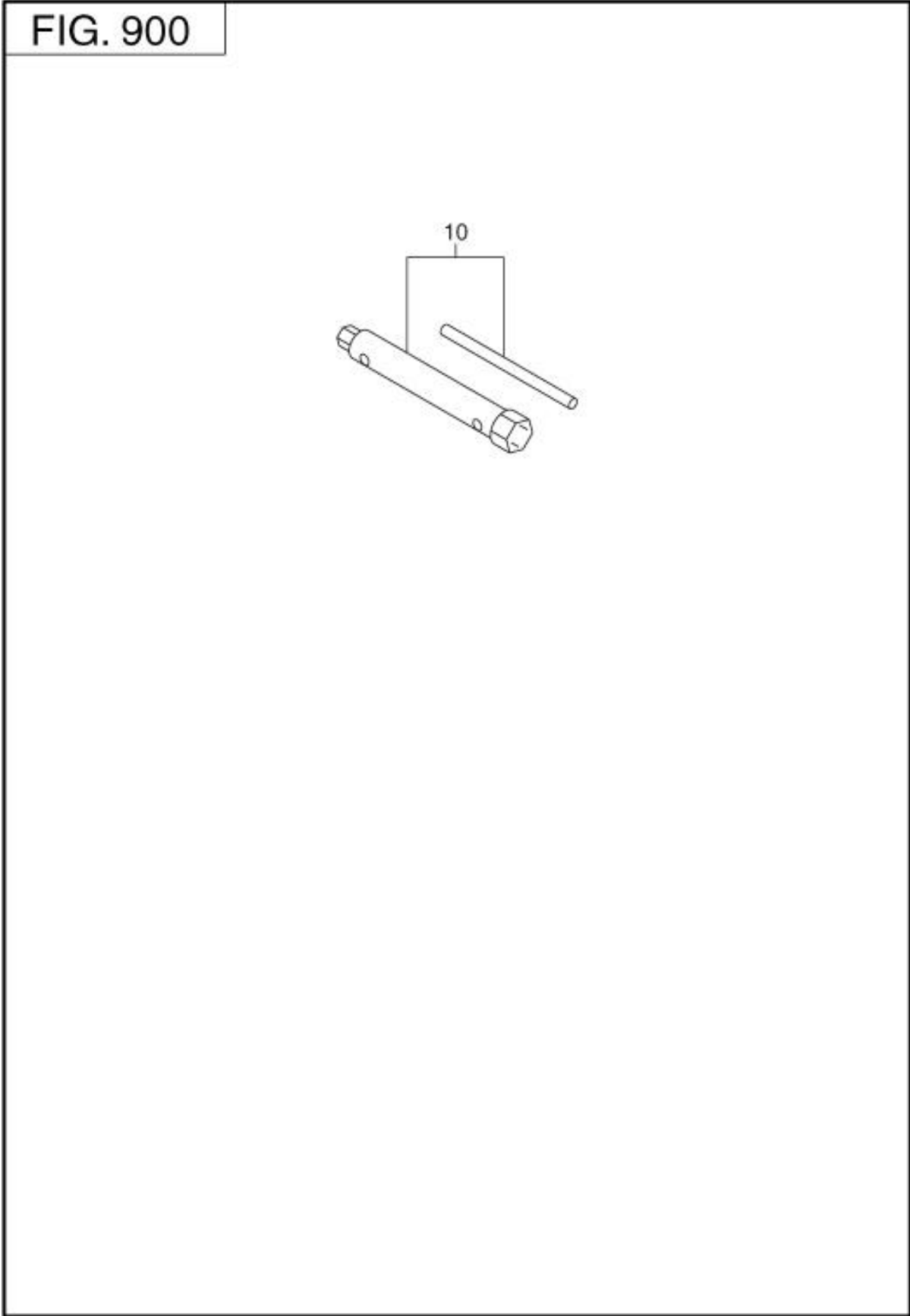
| REF. | PART NUMBER | PART NAME | CODE NO. | QTY | REMARKS | INTERCHANGE |
|------|--------------|----------------------|----------|-----|---------|--------------|
| 210 | 21E-62301-H0 | CARBURETOR AY | - | 1 | | 21E-62301-K0 |
| - 1 | 106-62535-08 | THROTTLE VALVE | - | 1 | | |
| - 2 | 237-62451-08 | SCREW | - | 4 | | |
| - 3 | 236-62528-08 | CHOKE VALVE | - | 1 | | |
| - 5 | 21E-62420-08 | PILOT JET | - | 1 | | |
| - 7 | 209-62445-08 | SPRING | - | 1 | | |
| - 8 | 21E-62520-08 | CHOK SHAFT AY | - | 1 | | |
| - 11 | 161-62530-08 | SHAFT AY (THROTTLE) | - | 1 | | |
| - 12 | 236-62451-08 | BOLT | - | 1 | | |
| - 14 | 161-62352-08 | NEEDLE | - | 1 | | |
| - 15 | 214-62515-08 | PIN | - | 1 | | |
| - 16 | 21E-62550-08 | FLOAT CHAMBERBODY AY | - | 1 | | |
| - 17 | 236-62450-08 | PACKING | - | 1 | | |
| - 18 | 236-62540-08 | PACKING | - | 1 | | |
| - 19 | 236-62505-08 | FLOAT | - | 1 | | |
| - 20 | 21E-62440-08 | MAIN NOZZLE | - | 1 | | |
| - 21 | 235-62425-08 | GUIDE HOLDER | - | 1 | | |
| - 22 | 252-62401-08 | MAIN JET | - | 1 | | |
| - 26 | 21E-62350-08 | HOSE | - | 1 | | |
| - 27 | 234-62454-08 | NEEDLE-A | - | 1 | | |
| - 28 | 277-62360-08 | SCREW | - | 1 | | |
| - 40 | 246-62435-08 | ADJUST SCREW | - | 1 | | |
| - 41 | 230-62446-08 | SPRING(CO) | - | 1 | | |
| - 79 | 236-62541-08 | PACKING | - | 1 | | |
| -142 | 236-62445-08 | SPRING | - | 1 | | |
| -151 | 106-62384-08 | O-RING | - | 1 | | |
| -153 | 293-62350-08 | PLATE BV15/312 | - | 1 | | |
| -154 | 279-62351-08 | SCREW | - | 1 | | |

7 ELECTRIC DEVICE GR



| REF. | PART NUMBER | PART NAME | CODE NO. | QTY | REMARKS | INTERCHANGE |
|------|--------------|----------------------|----------|-----|------------|-------------|
| 10 | 21E-79230-J1 | FLY WHEEL CP | - | 1 | | |
| 11 | 21E-79430-L1 | IGNITION COIL CP | 9051- | 1 | | |
| 30 | 20F-14062-50 | BOLT AND WASHER AY | - | 2 | | |
| 60 | X66-00004-71 | SWITCH AY | 8767- | 1 | | |
| 70 | 20F-35041-20 | SCREW AND WASHER AY | - | 2 | | |
| 75 | X56-60800-50 | CLAMP | - | 1 | | |
| 100 | X65-01408-60 | SPARK PLUG | - | 1 | NGK CR5HSB | |
| 112 | 21E-75001-J3 | SPARKPLUG RUBBER CAP | 8968- | 1 | | |

9 ACCESSORIES LABEL GR



| REF. | PART NUMBER | PART NAME | CODE NO. | QTY | REMARKS | INTERCHANGE |
|------|--------------|--------------------|----------|-----|---------|-------------|
| 10 | 21E-90301-H0 | ACCESSORY TOOL KIT | - | 1 | | |